

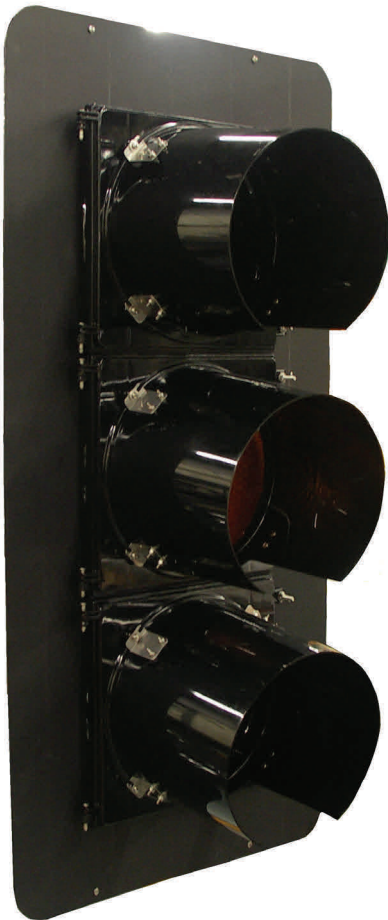
EAGLE TRAFFIC CONTROL SYSTEMS

A DIVISION OF  **BROWN**
Traffic Products, Inc.

SG Aluminum Vehicle Traffic Signal

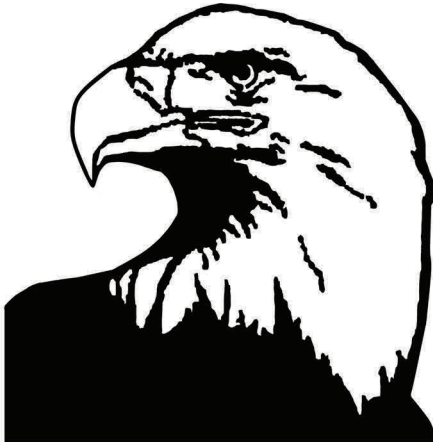
Description

The standard signal is composed of three die-cast aluminum LED-ready body sections containing the door and visor. The basic construction design provides minimum weight combined with maximum rigidity and strength. It meets or exceeds ITE specifications.



Features

- **HOUSING** – One piece die-cast unit with serrations in 5° increments at each end. Each housing has provisions for mounting two terminal blocks and attaching back plates. Housings may be fastened together to make multi-section signals. The 12" housings can be intermixed to form combination signals.
- **LED Modules** - conform to ITE specifications. The standard lens is poly carbonate and capable of withstanding illumination by standard traffic signal positive positioning. Locking is achieved through the use of serrated brackets, mast arm or span wire fittings.
- **DOOR** – One piece die-cast aluminum unit equipped with stainless steel hinge pins. Two stainless steel captive eyebolts and wing nuts permit easy access to the inside of the housing.
- **VISOR** – One piece formed aluminum unit. The removable twist-on visor is secured to the door with stainless steel hardware. Cut-away, tunnel, and full circle visors are available. Poly and aluminum visors are interchangeable.
- **GASKETS** – A neoprene gasket between the door and the housing assures the weather tight quality of the unit.
- **COATING** – Powder paint both inside and outside. Powder paint creates a more resilient and weather durable finish than conventional paint.
- **TERMINAL BLOCK** – All terminal blocks are composed of a sturdy polycarbonate weather resistant casing and stainless steel hardware. Terminal block is standardly installed in the yellow section of signal (second from the top).
- **HARDWARE** – Stainless steel material inside and outside.



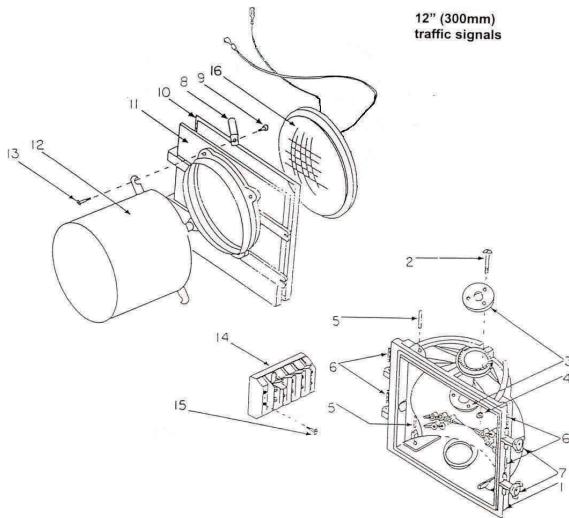
EAGLE TRAFFIC CONTROL SYSTEMS

A DIVISION OF **BROWN**
Traffic Products, Inc.

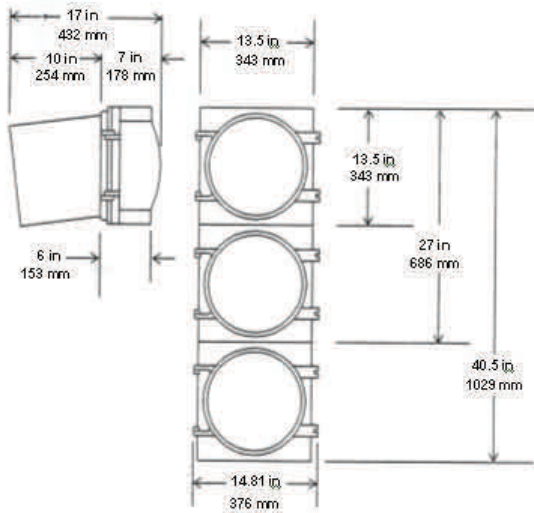
SG Aluminum Vehicle Traffic Signal

WEIGHTS

Piece	12" (300 mm)
Single Section	7.5 lbs (3.4 kg)
Housing Only	5.3 lbs (2.41 kg)
Door Only	1.5 lbs (0.68 kg)
Visor Only	1.4 lbs (0.64 kg)



12" (300mm)
traffic signals



Eagle signals and accessories are built with the highest standards in quality and manufacturing. With a long standing history of technological innovations, well renowned customer service, and high quality products and services, Eagle is the leader in traffic technology products and solutions. For more information on our product line see our website at www.browntraffic.com

Ref No.	Description	Part # 12" (300)
1	Signal Housing Green	A70182101
	Signal Housing Yellow	A70182102
	Signal Housing Black	A70182103
2	Carriage Bolt (1/4 - 20 x 1 3/4")	A701101SS
3	Clamping Washer	M50417
4	Hex Nut (1/4 - 20)	M30221
5	Type 2 Grove Pin, SS (12" - 3/16 x 1)	A702181
6	Spiral Pin, SS (3/16" x 1")	A144006
7	Wingnut Eyebolt Assembly	A844263
8	Lens clip, generic	A844361SS
9	Lens clip, screw, SS (10- x3/8")	A144479TF
10	Door gasket	A701630
11	Signal door Green	A84432201
	Signal door Yellow	A84432202
	Signal door Black	A84432203
12	Visor - tunnel	A852307 XX
	Visor - cap	A852305 XX
	Visor - full circle	A852319 XX
13	Visor screw (10 - 32 x 3/8")	A146082TF
14	Terminal block, 4 pos. spade type	A182944TX
	Terminal block, 6 pos. spade type	PCT100TX
15	Machine screw, SS (6 - 32 x 3/4")	A16257312
16	Green LED "BUS"	JXB300BUSG
	Red LED "BUS"	JXB300BUSR
	YELLOW LED "BUS"	JXB300BUSY
	Green LED Honeycomb	JXC300007G
	Red LED Honeycomb	JXC300007R
	Yellow LED Honeycomb	JXC300007Y
	Green LED Pixilated	JXC300CAG
	Red LED Pixilated	JXC300CAR
	Yellow LED Pixilated	JXC300CAY
	Green Arrow LED Honeycomb	JXJ200007G
	Yellow Arrow LED Honeycomb	JXJ200007Y
	Red Arrow LED Honeycomb	JXJ200007R
	Green Arrow LED Pixilated	JXJ300VIGA
Yellow Arrow LED Pixilated	JXJ300VIYA	
Red Arrow LED Pixilated	JXJ300VIRA	