



DATA SHEET

SSS-87P



Solid State Loadswitch:

Description:

The PDC SSS-87 Loadswitch series is a tri-pack, modular, solid state relay designed specifically to meet NEMA specifications, as well as California and New York "Model 200" specifications. Each loadswitch contains 3 individually replaceable modules that are enclosed in a dust resistant, metal enclosure providing mechanical protection and excellent heat sinking for the modules. Each module is encapsulated in epoxy resin. The modules are easily accessible with the use of a screwdriver.

Installation:

The switchpac inter mates with any standard NEMA loadbay or with the model 332 cabinet output file as well as with any NEMA loadbay. It is easily installed or removed by grasping the handle. Connector P1 pin outs are shown in FIG 1. The connector mates with a PDC BCS-12 or equal.

PIN	FUNCTION	P1
1	+115VAC, 60 Hz	(P1 as viewed from the outside of the product looking directly at the connector)
2	Chassis Ground	
3	A Output (Red, Don't Walk)	
4	Not Assigned	
5	B Output (Yellow)	
6	A Input (Red, Don't Walk)	
7	C Output (Green, Walk)	
8	B Input (Yellow)	
9	+24 VDC	
10	C Input (Green, Walk)	
11	Not Assigned	
12	Not Assigned	

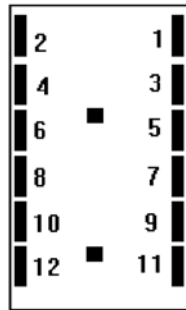


FIG 1.

General Characteristics:

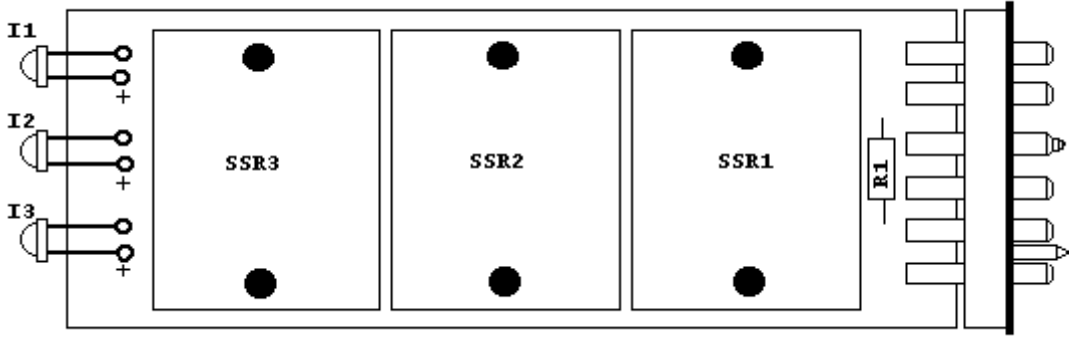
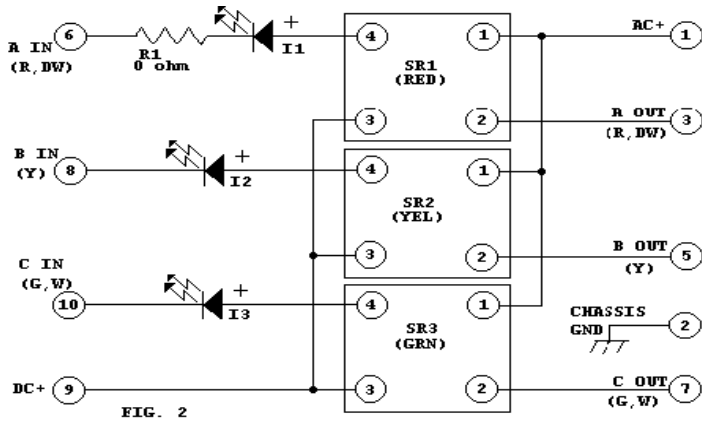
Model	SSS-87 Series
Uses Module #	SSR-83-525 & SSR-87
Meets Specs for Load	Nema, Caltrans, NY (model 200)
	voltage.....120 VAC
	current (max)..... 15.0 Amps (Tungsten Filament Load)
Control Signal	voltage..... +24VDC
	current 20.0 MA (max)
Switching	1st alternation after.....±10 Degrees of line voltage at the zero signal is applied.
	Succeeding alterations.....±5 Degrees of line voltage at the zero crossover point.
Off State	dv/dt.....100 V per microsecond
	line to load resistance.....15 K Ohms Min
	leakage current.....less than 20 MA
Isolation	voltage.....2500 VDC Min
	resistance.....10 Meg Ohms Min
Surge Current	one cycle.....175 Amps RMS Min
	one second.....40 Amps RMS Min
Life	operations.....30 million Min
Mechanical	length.....8.40 inches
	width.....1.74 inches
	height.....4.185 inches
	weight.....1.135 LBS

Guarantee: The SSS-87 series is fully guaranteed against all failures due to manufacturing defects for two years.



DATA SHEET

SSS-87P



Item	Qty	Description	PDC P/N	MFG	MFG P/N	REF DES
1	1	Label s/n	OOO43	PDC	OOO43	
2	3	Solid State Relay, SSR-87	OO144	PDC	OO144	SSR1,2,3
3	1	Chassis	OO204	PDC	OO204	
4	1	Cover	OO206	PDC	OO206	
5	1	Label, front panel	OO214-2	PDC	OO214-2	
6	1	P.C. Board fab.	OO227	PDC	OO227	
7	6	Screw, 8-32 x 3/8 brass	HOO36			
8	6	screw, 6-32 x 5/16	H0037			
9	6	Nut, keps 6-32	H0038			
10	1	Spacer	H0039			
11	4	Screw, #5 x 3/8	H0040			
12	8	Screw, 6-32 x 3/8	H0041			
13	1	Connector 12 pin	J0002	Beu	P5412-S	
14	3	L.E.D. Clear Red	LDOOO4	G.I.	MV5020	I1,2,3