

GE  
Lumination

# RX11 LED Signal Modules

8 and 12 inch

## Features, Benefits and Values

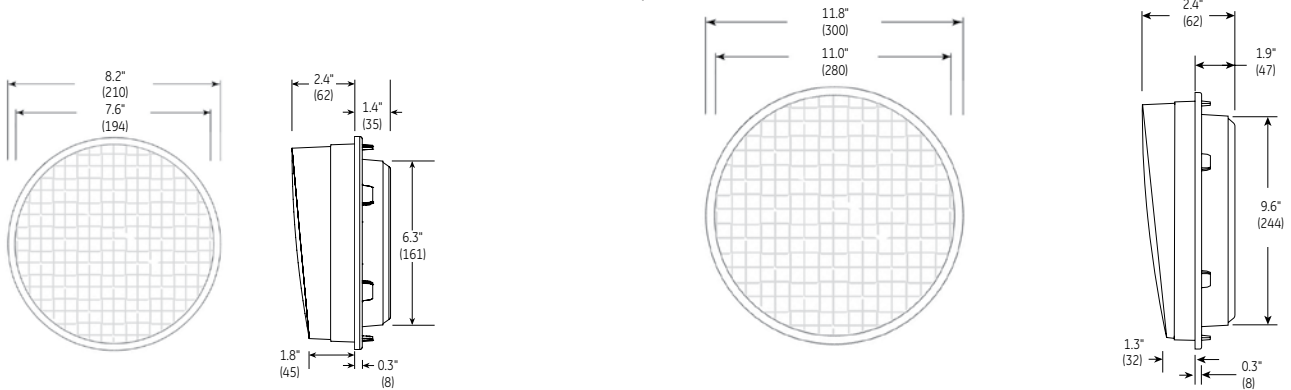
- High efficiency & long life LED light source
- Designed to conform to applicable ITE specifications
- Failure of single LED results in loss of light from only that LED
- UV stabilized shell
- Moisture and dust resistant
- Direct retrofit design
- Incandescent look
- Sun phantom protection
- All products shipped with installed gasket
- EPACK 2005 compliant



# RX11 LED Signal Modules

- 8 and 12 inch

## Mechanical Outline Dimensions in inches. (mm) indicates metric equivalent



## Design Compliance

Test Type	Compliance
Luminous Intensity	ITE VTCSH-STD Part 2 - July 1998
Chromaticity	ITE VTCSH-STD Part 2 - July 1998
Moisture Resistance	NEMA STD 250 Type 4 - 1991
Mechanical Vibration	MIL-STD-883 Method 2007
Electronic Noise	FCC Title 47 Sub. B Sec 15 <sup>1</sup>
Transient Voltage Protection	ITE VTCSH-STD Part 2 - July 1998
Controller Compatibility	NEMA TS-2-1992
Wiring	National Electric Code

<sup>1</sup> Class A

## Operating Specifications

Parameter	Rating
Operating Temperature Range	-40 to +74°C (-40 to +165°F)
Operating Voltage Range	80 to 135 V (60Hz AC)
Power Factor (PF)	> 90 %
Total Harmonic Distortion (THD)	< 20 %
Voltage Turn-off (VTO)	45 V
Lens & Shell Material	UV Stabilized Polycarbonate
Wiring	16 AWG, Color Coded with Strain Relief

## Product Information

Model Number	Size (in)	AC Voltage	Power (W)	Wavelength (nm)	Maintained Intensity (Cd)
		Nominal	Nominal	Dominant	Minimum <sup>2</sup>
DR4-RTFB-20A	8	120V - 60 Hz	5	626	133
DR4-YTFB-20A	8	120V - 60 Hz	13	589	267 <sup>3</sup>
DR4-GTFB-20A	8	120V - 60 Hz	6	508	267
DR4-GCFB-20A	8	120V - 60 Hz	6	508	267
DR6-RTFB-20A <sup>4</sup>	12	120V - 60 Hz	10	626	339
DR6-YTFB-20A	12	120V - 60 Hz	22	589	678 <sup>3</sup>
DR6-GTFB-20A	12	120V - 60 Hz	12	508	678
DR6-GCFB-20A	12	120V - 60 Hz	12	508	678

### Options :

- Q : Quick Connect
- S : Medium Base Socket
- F : In-line Fuse

Standard product equipped with spade connectors.

<sup>2</sup> Measured at +2.5°H -2.5°W, T<sub>o</sub> = 25°C.

<sup>3</sup> Actual intensity less than ITE VTCSH-STD Part 2 - July 1998.

<sup>4</sup> May exceed maximum intensity of ITE VTCSH-STD Part 2 - July 1998.

Distributed by:



6180 Halle Drive • Valley View, Ohio 44125-4635, • USA  
 P: 216.606.6555 • F: 216.606.6599 • www.led.com • signals@led.com

For customer service & technical support, contact:  
**1-888-MY-GE-LED** (1.888.694.3533)

Lumination, LLC is a subsidiary of the General Electric Company. The GE brand and logo are trademarks of the General Electric Company.  
 © 2008 Lumination, LLC. Information provided is subject to change without notice. All values are design or typical values when measured under laboratory conditions.