

SPECIFICATIONS

This button is a highly vandal resistant button with essentially no moving parts. It is pressure activated, requiring less than 3 lbs push force. When the switch activates, you hear a beep and the LED lights and stays on until the walk cycle.

Body Material: Aluminum, Powder Coated

Colors: Black, Green & Yellow

To specify color, add B for black, G for green, or Y for yellow in "X" position in part number.

Button Material: 316 Stainless Steel

Piezo Driven Solid State Switch:

Operating Force: 3 lbs. Maximum

Operating Temperature: -30°F to 140°F (-34°C to 60°C)

Operating Voltage: 18 VDC Nominal

Operating Life: Greater than 100 million operations.

Switch Hold Time: 6 Seconds Minimum

LED:

Operating Mode: Latching - Activates only during non-walk phases and stays on until the beginning of walk phase.

Requires Polara Latching Push Button Control Unit (LPBCU

Sold Separately) which is installed in the intersection control cabinet.

Luminous Intensity: Greater than 1200 mcd (ultra bright red).

Viewing Angle: 160°

Beeper:

Sounds simultaneously with LED flash.

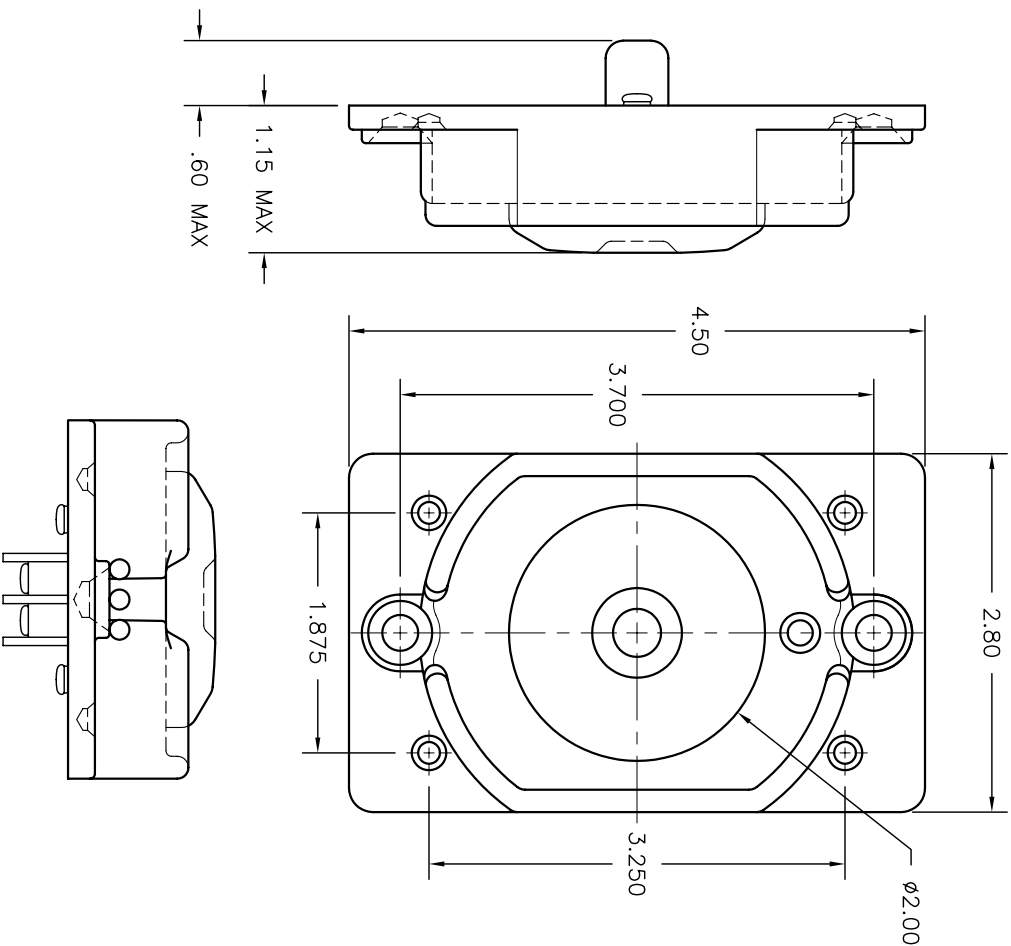
Different tones for press and release, 2.3 KHz & 2.6 KHz.

-YY: If not specified, no holes drilled

-2H comes with two center holes drilled

-4H comes with four corner holes drilled

FITS PELCO SE-2000 RECTANGULAR SERIES



INFORMATION ON THIS DOCUMENT IS NOT BE USED TO OPERATE, REPAIR, MAINTAIN, OR DISPOSED IN WHOLE OR IN PART WITHOUT WRITTEN CONSENT OF POLARA

Revised - 05/26/05

REV. DATE	LTR	E.C.O. NO.	BY	CKR	ENG	DSN	MFG	QA	FNL

POLARA ENGINEERING INC.
4115 W. ARTESIA AVE. FULLERTON, CA. 92833

TOLERANCES: .XXX ±.005, .XX ±.02 (EXCEPT AS NOTED)

SCALE 1:1.5

DRAWN BY	CKR.	ENG. MGR.	MFG. MGR.	SHEET 1 OF 1
DATE	DSN. ENG.	Q.A. APP.	FINAL APP.	USE
01-20-05				

TITLE REES STYLE BULLDOG BUTTON WITH LATCHING LED DWG. NO. RBDLL2-X-YY