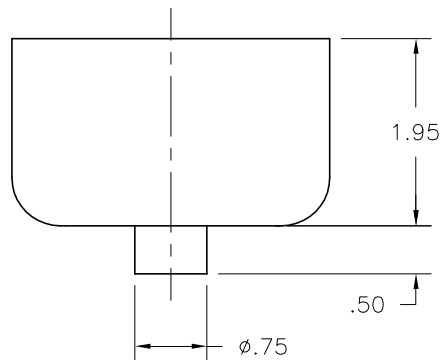


This button cup is designed to hold Polara push button models BDLM2-X, BDLL2-X, MPBS-X and MPBP-XX.

To designate color replace "X" in part number with:

- "B" for Black
- "S" for Silver
- "G" for Green
- "Y" for Yellow

Material: High Impact Polycarbonate



INFORMATION ON THIS DOCUMENT IS PROPRIETARY TO POLARA AND SHALL NOT BE USED, COPIED, REPRODUCED OR DISCLOSED IN WHOLE OR IN PART WITHOUT WRITTEN CONSENT OF POLARA.

11-04-02	D	21883	BB							
Revised - 11/04/02										
04-16-02	C	21839	BB	CLM	LB	WR	FB	RVC	JMc	
09-13-01	B	21776	BB	CLM	LB	WR	FB	RVC	JMc	
02-27-01	A	21683	BB	CLM	LB	WR	FB	RVC	JMc	
REV. DATE	LTR	E.C.O. NO.	BY	CKR	ENG	DSN	MFG	QA	FNL	

POLARA ENGINEERING INC.
4115 W. ARTESIA AVE. FULLERTON, CA. 92833

TOLERANCES: .XXX ±.005 .XX ±.02 (EXCEPT AS NOTED) SCALE 1:2

DRAWN BY BB	CKR. CLM	ENG. MGR. LB	MFG. MGR. FB	SHEET 1 OF 1
DATE 05-19-00	DSN. ENG. WR	Q.A. APP. RVC	FINAL APP. JMc	USE

TITLE: PUSH BUTTON CUP

DWG. NO.: PBC-X