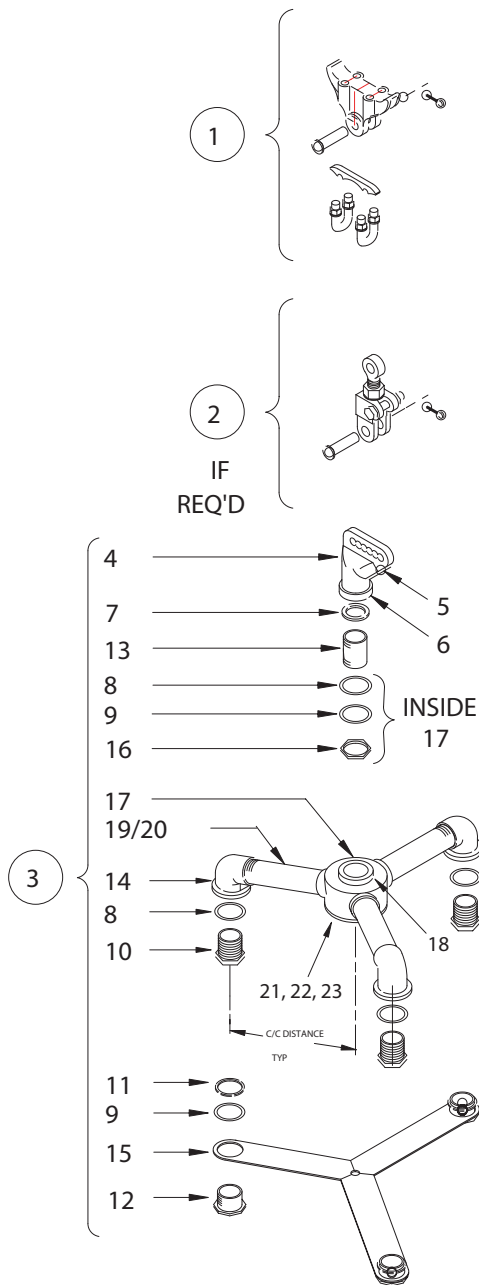


EAGLE SPAN WIRE SUSPENSION THREE-WAY (ALUMINUM) BULLETIN 2403



ITEM	DESCRIPTION	PART NO.
①	CABLE SUSPENSION CLAMP	A21926
②	BALANCE ADJUSTER	A32000
③	3-WAY TOP & BOTTOM	A24129X
	3-WAY TOP BRACKET ASSEMBLY	U2317x*
	3-WAY BOTTOM BRACKET ASSEMBLY	L2301x*
4	WIRE ENTRANCE	M22162
5	INSULATOR BUSHING	M10738
6	SET SCREW (1/4-20)	M50360
7	SERRATED RING	M20466
8	NEOPRENE WASHER	M60615
9	FLAT WASHER	M30473
10	LOCK NIPPLE	M22241
11	CONDUIT NUT	M31040
12	ORNAMENT CAP	M20872
13	NIPPLE	P280250
14	ELBOW, SERRATED	M21111
15	3-WAY TIE BRACE	M24470X
16	HEX NUT (1/1/2)	M30244
17	3-WAY CENTER HUB W/COVER	M24778
18	CONE POINT SET SCREW (1/4-20)	M50131
19	PIPE ARM FOR 8.5 C/C	P260538
20	PIPE ARM FOR 10.5 C/C	P260750
21	COVER	M23367
22	COVER SCREW	M50134
23	COVER L'WASH	M51780

*Bulletin 2403x

*x = "B" for 8½" C/C distance
x = "D" for 10½" C/C distance