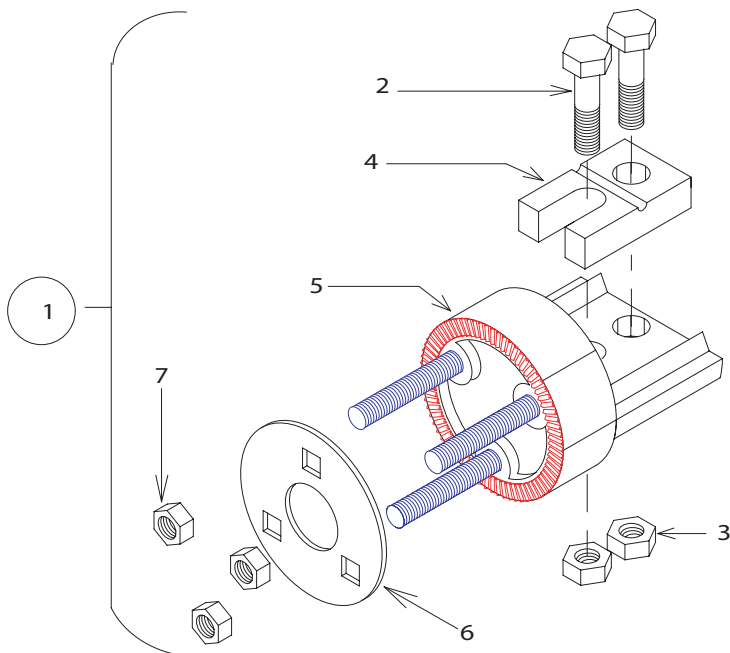


## EAGLE SIGNAL MOUNTINGS TRI-STUD ADJUSTABLE HANGER BULLETIN 2650



ITEM	DESCRIPTION	PART NO.
①	ADJUSTABLE HANGER, TRI-STUD SS	A24337
2	BOLT, (3/8 16 X 1 3/4 LONG)	M50309
3	HEX NUT (3/8), SELF LOCK	M50211
4	CLAMP PAD (OPTIONAL)	M21817
5	HANGER BODY	M22950
6	CLAMPING WASHER	M30417
7	KEPS HEX NUT (5/16-18)	M30210

Bulletin 2650