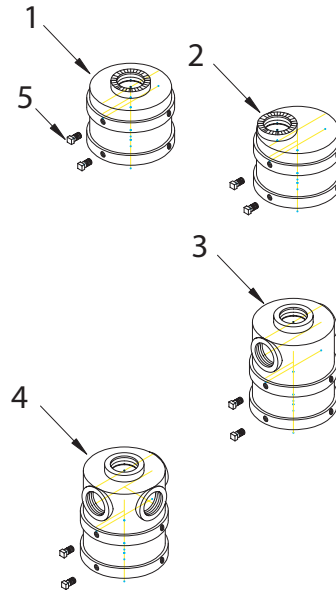


EAGLE SIGNAL MOUNTINGS POST TOP & CENTER HUB BULLETIN 2625

ITEM	DESCRIPTION	PART NUMBER
1	SERRATED CENTER MOUNT	*Mx1411
2	SERRATED OFFSET MOUNT	*Mx1412
3	PLAIN CENTER-2 PORTS	*Mx1410
4	PLAIN CENTER MOUNT-4 PORTS	*Mx1432
5	SET SCREW (3/8-16)	M50120

*x = "2" FOR ALUMINUM
x = "3" FOR IRON



ITEM	DESCRIPTION	PART NUMBER
6	THREE WAY CENTER HUB	*Mx4778
7	COVER PLATE	M23333
8	FOUR WAY CENTER HUB	*Mx4767
9	COVER PLATE	M23332
10	LOCK WASHER (#10)	M51741
11	SCREW (3/8-16) HEX HEAD	M50105

*x = "2" FOR ALUMINUM
x = "3" FOR IRON

