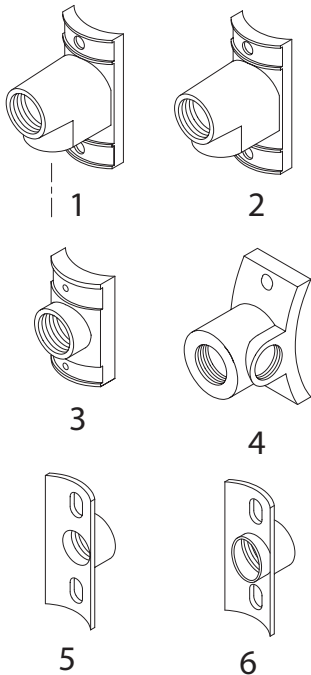


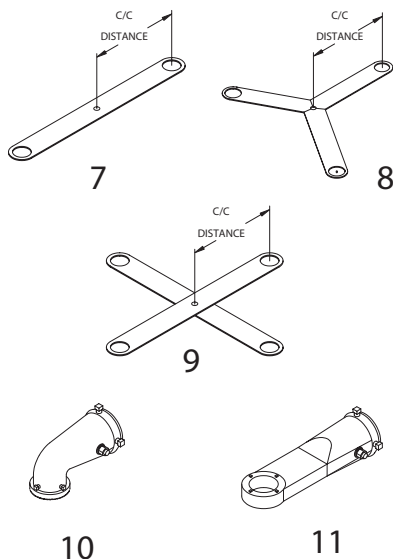
## EAGLE SIGNAL MOUNTINGS PLATES - BRACES - PLUMBIZERS BULLETIN 2635



### POLE PLATES

ITEM #	DESCRIPTION	PART NUMBER
1	ALUMINUM HUB W/ 1¼" DOWNWARD HUB	M25212
2	ALUMINUM HUB	M25213
3	ALUMINUM SHORT HUB	M25214
4	IRON HUB W/1-1/4" SIDE	M35215
5	ALUM. PLATE W/O CABLE GUIDE	M25216
6	ALUM. PLATE W/CABLE GUIDE	M25217

ITEM #'S 1, 2 AND 3 MAY BE BANDED OR BOLTED



### TIE BRACES AND PLUMBIZERS

ITEM #	DESCRIPTION	PART NUMBER
7	TIE BRACE TWO-WAY	*M24472x
8	TIE BRACE THREE-WAY	*M24470x
9	TIE BRACE FOUR-WAY	*M24471x
10	MAST ARM PLUMBIZER WITH THRU BOLT AND SETSCREWS	**Ax2822
11	ELEVATOR PLUMBIZER WITH THRU BOLT AND SET SCREWS	**Ax2823

\*x = "B" FOR 8½ C/C DISTANCE

x = "D" FOR 10½ C/C DISTANCE

\*\*x = "2" FOR ALUMINUM

x = "3" FOR IRON

Bulletin 2635