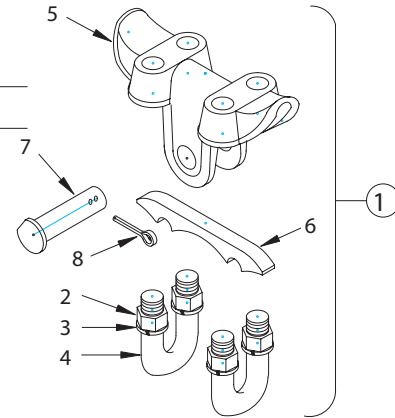
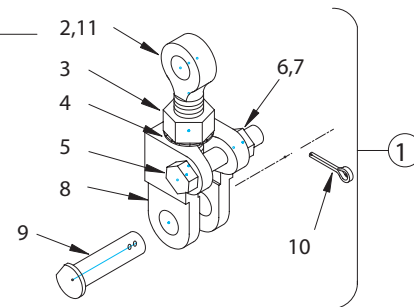


EAGLE SIGNAL MOUNTINGS MESSENGER HANGER - ADJUSTER BULLETIN 2615

ITEM	DESCRIPTION	PART NUMBER
①	MESSENGER HANGER	A31926
2	HEX NUT (7/16-14)	M31446
3	LOCK WASHER (7/16)	M31725
4	U-BOLT (7/16-14)	M30348
5	WIRE CLAMP	M31946
6	CABLE PROTECTOR	M31847
7	CLEVIS PIN (1/2)	M30551
8	COTTER PIN (5/32)	M50553



ITEM	DESCRIPTION	PART NUMBER
①	BALANCE ADJUSTER	A32000
2	EYE BOLT (3/4-10)	M30355
3	HEX NUT (3/4-10)	M30256
4	LOCK WASHER, (3/4)	M31757
5	BOLT, (1/2-13)	M30359
6	LOCK WASHER, (1/2)	M31752
7	HEX NUT, (1/2-13)	M30214
8	BALANCE ADJUSTER BODY	M32054
9	CLEVIS PIN (1/2)	M30551
10	COTTER PIN (5/32)	M40553
11	COTTER PIN (3/32)	M40558



Bulletin 2615