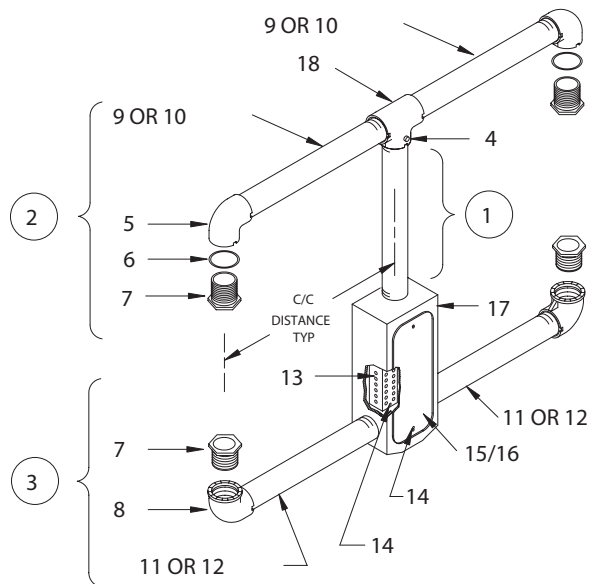
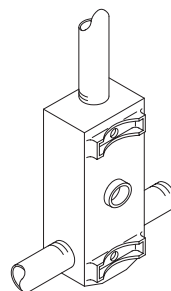


EAGLE SIDE-OF-POLE BRACKET TWO-WAY CABLE GUIDE (IRON) BULLETIN 2106



Back View of
Compartment



Saddle-Back
with Cable Guide
and Mounting Holes
-- also available
with Flat-Back
with Cable Guide
and Mounting Holes

ITEM	DESCRIPTION	PART NO.	ITEM	DESCRIPTION	PART NO.
①	CENTER PIPE SUPPORT SPECIFY SIGNAL CONFIGURATION		10	PIPE ARM FOR 10.5 C/C	P360950
②	2-WAY TOP BRACKET ASSEMBLY	U3212x*	11	PIPE ARM FOR 8.5 C/C	P360650
③	2-WAY BOTTOM BRACKET ASSEMBLY	L3212x*	12	PIPE ARM FOR 10.5 C/C	P360850
4	SET SCREW (1/4-20)	M50163	13	TERMINAL BLOCK	M13604
5	ELBOW (PLAIN)	M31110	14	SCREW (10-32)	M50105
6	GASKET	M60615	15	COVER	M23306
7	LOCKNIPPLE	M32241	16	GASKET	M60606
8	ELBOW (SERRATED)	M31111	17	TERMINAL COMPARTMENT	M33508
9	PIPE ARM FOR 8.5 C/C	P360750	18	TEE (SLIPFIT)	M31201

*Bulletin 2106x

*x = "B" for 8½" C/C distance
x = "D" for 10½" C/C distance