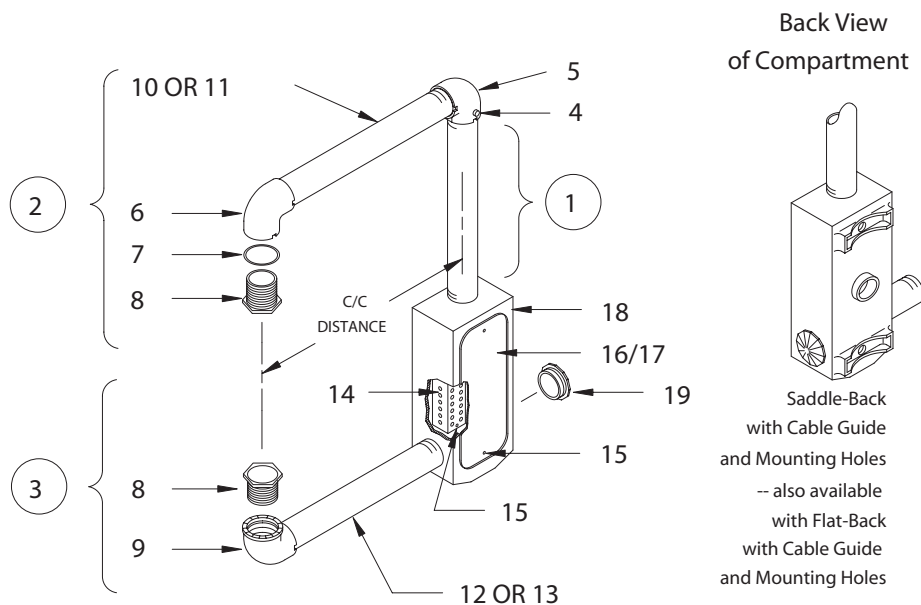


## EAGLE SIDE-OF-POLE BRACKET ONE-WAY CABLE GUIDE (ALUMINUM) BULLETIN 2115



ITEM	DESCRIPTION	PART NO.	ITEM	DESCRIPTION	PART NO.
①	CENTER PIPE SUPPORT SPECIFY SIGNAL CONFIGURATION		9	ELBOW (SERRATED)	M21111
②	1-WAY TOP BRACKET ASSEMBLY	U2112x*	10	PIPE ARM FOR 8.5 C/C	P260750
③	1-WAY BOTTOM BRACKET ASSEMBLY WITH SADDLE-BACK COMPARTMENT	L2112x*	11	PIPE ARM FOR 10.5 C/C	P260950
4	SET SCREW (1/4-20)	M50163	12	PIPE ARM FOR 8.5 C/C	P260650
5	ELBOW (SLIPFIT)	M21106	13	PIPE ARM FOR 10.5 C/C	P260850
6	ELBOW (PLAIN)	M21110	14	TERMINAL BLOCK	M13604
7	GASKET	M60615	15	SCREW (10-32)	M50105
8	LOCKNIPPLE	M22241	16	COVER	M23306
			17	GASKET	M60606
			18	TERMINAL COMPARTMENT	M23508
			19	ORNAMENT CAP	M20816

\*Bulletin 2115x

\*x = "B" for 8½" C/C distance  
x = "D" for 10½" C/C distance