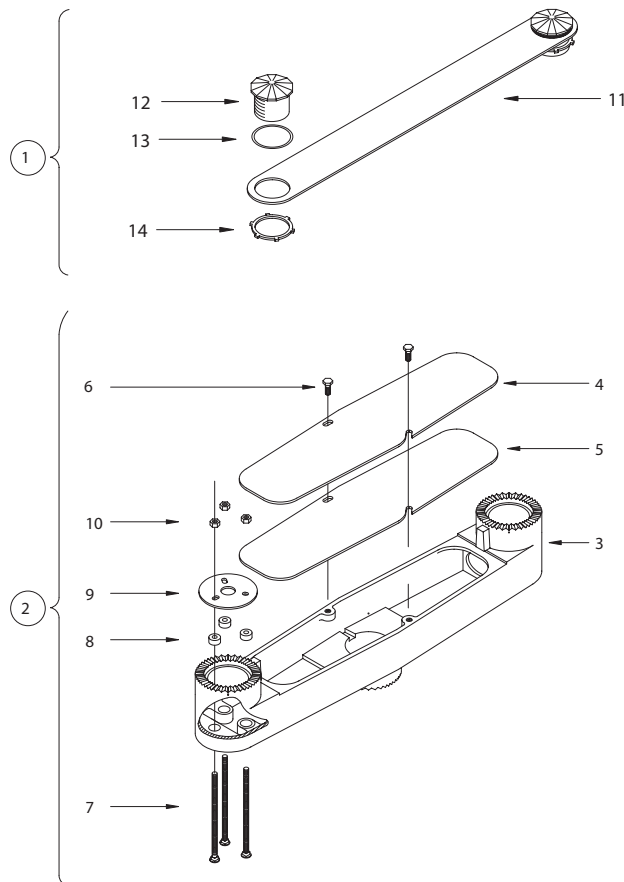


EAGLE MULTI-MOUNT ASSEMBLY TRI-STUD BULLETIN 2501



ITEM	DESCRIPTION	PART NO.
①	TWO-WAY TIE BRACE ASSEMBLY	L2201B
②	MULTI-MOUNT ASSEMBLY	A23600
3	MULTI-MOUNT ALUMINUM CASTING	M23803
4	COVER	M23301
5	RUBBER COVER GASKET	M60613
6	HEX HEAD BOLT (1/4-20 X 1/2)	M50316
7	CARRIAGE BOLT (1/4-20 X 4)	M50312
8	GROMMET	M60618
9	CLAMP WASHER	M50417
10	KEPS HEX NUT (1/4-20)	A14341655
11	TIE BRACE	A7021497
12	ORNAMENT CAP	M20872
13	FLAT WASHER	M30473
14	CONDUIT NUT	M31040

Bulletin 2501