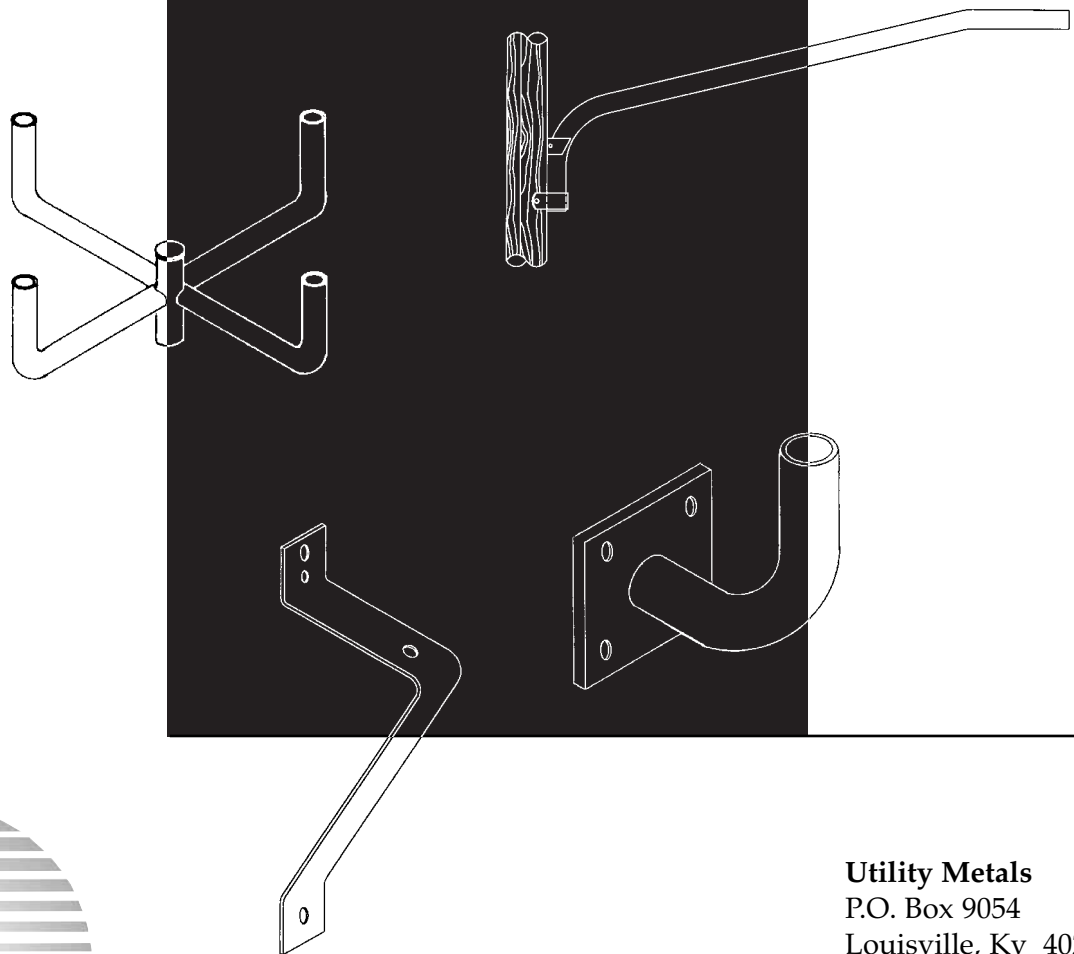




# LIGHTING BRACKETS



**Utility Metals**  
P.O. Box 9054  
Louisville, Ky 40209

800-627-8276  
502-363-6681  
502-368-2656 FAX  
[www.utilitymetals.com](http://www.utilitymetals.com)

*A division of  
Fabricated Metals LLC*  
LB-22

# TABLE OF CONTENTS

## STEEL AND ALUMINUM WOOD POLE MOUNTING BRACKETS

|  |       |
|--|-------|
| "P" Series – Cantilever Style Brackets   | 1     |
| "M" Series – Cantilever Style Brackets   | 2     |
| "S" Series – Single Guy Rod Brackets     | 2     |
| "D" Series – Double Guy Rod Brackets     | 3     |
| "U" Series – Continuous Upsweep Brackets | 4     |
| "P" Series – Cross Arm Brackets          | 5     |
| Twin Cross Arm Adapter Angle Bracket     | 5     |
| "P" Series – Twin Cross Arm Brackets     | 6     |
| "B" Series – Tapered Elliptical Brackets | 6     |
| "A" Series – A-Frame Brackets            | 7     |
| Truss Brackets                           | 8     |
| Single Floodlight Brackets               | 9     |
| Double Floodlight Bracket                | 9     |
| Triple Floodlight Bracket                | 10    |
| Right Angle Brackets                     | 10    |
| Wrap Around Brackets                     | 11-12 |

## STEEL AND ALUMINUM

### CONCRETE & STEEL POLE MOUNTING BRACKETS

|   |       |
|---|-------|
| "P" Series – Cantilever Style Brackets  | 13    |
| "U" Series – Continuous Upsweep Brackets                                      | 14    |
| "B" Series – Tapered Elliptical – Concrete Pole                               | 15    |
| "E" Series – Cantilever Style – Round Pole                                    | 15    |
| Truss Brackets – Square and Round Pole Mounting                               | 16    |
| Right Angle Wrap Brackets for Round and Square Poles – Single and Double Arms | 17    |
| Right Angle Brackets  | 18    |
| Side Tenon Brackets   | 19    |
| Wrap Around Brackets  | 20-21 |

## POLE TOP MOUNTING BRACKETS AND ACCESSORIES

|                             |       |
|-----------------------------|-------|
| Bull Horn Brackets          | 22-24 |
| Spoke Brackets              | 25-27 |
| Round Square Round Brackets | 28-30 |
| Upsweep Brackets            | 31-32 |
| Tenon Reducers and Adapters | 33    |

## SPORTS LIGHTING BRACKETS

|  |       |
|--|-------|
| Lighting Brackets – Wood Pole – Two to Six Lights          | 34-36 |
| Lighting Brackets – Square & Round Poles Two to Six Lights | 36    |

## CORNER MOUNTING BRACKETS

|  |    |
|--|----|
| "E" Series – Cantilever Style Brackets | 37 |
| Parapet Bracket                        | 37 |

## WALL MOUNTING BRACKETS

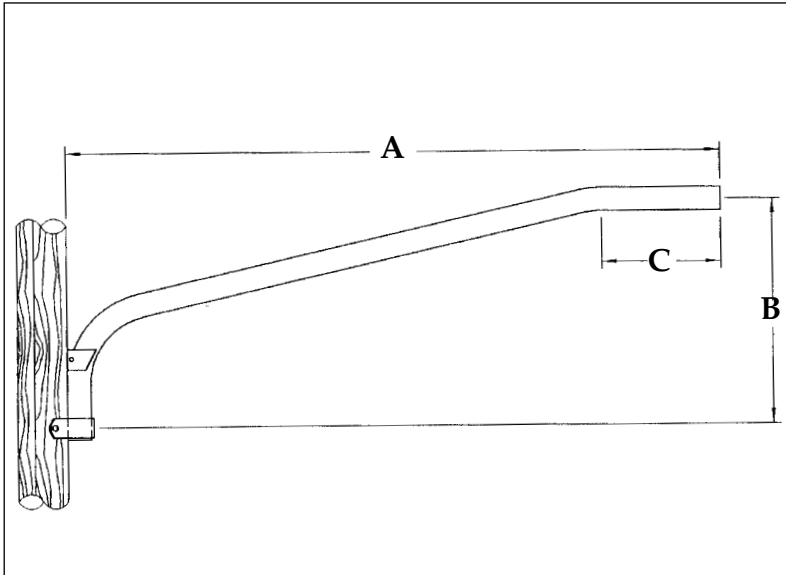
|  |       |
|--|-------|
| "J" Series – Continuous Upsweep Brackets | 38    |
| "E" Series – Cantilever Style Brackets   | 38    |
| "P" Series – Cross Arm Brackets          | 39    |
| Right Angle Brackets                     | 39-40 |
| Double Right Angle Bracket               | 40    |
| Side Angle Brackets                      | 41    |
| Vertical Tenon Brackets                  | 41    |

Throughout the catalog this symbol ♦ indicates stock item (in limited quantity).

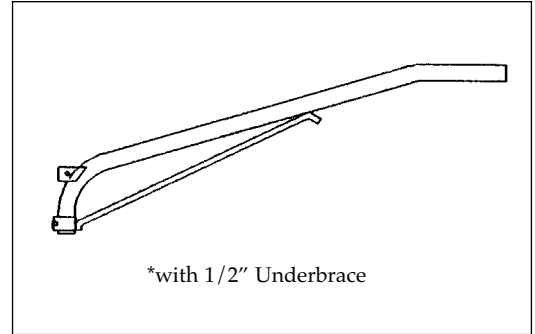
Utility Metals reserves the right to modify or change any portion of this catalog, its contents, and terms and conditions without notice, to allow for material availability, manufacturing processes and product change. For publication purposes, dimensions are rounded to the nearest inch where appropriate.

# "P" SERIES - CANTILEVER STYLE BRACKET

# WOOD POLE MOUNTING



- Mounting hardware not included



## ALUMINUM

| CATALOG NO.  | PIPE SIZE | NOM. LGTH. | A   | B   | C   | WT/LBS |
|--------------|-----------|------------|-----|-----|-----|--------|
| P125A020     | 1-1/4"    | 2'         | 24" | 13" | 8"  | 3      |
| ◆ P125A040   | 1-1/4"    | 4'         | 42" | 19" | 10" | 4      |
| ◆ P125A060U* | 1-1/4"    | 6'         | 66" | 24" | 12" | 6      |
| P200A020     | 2"        | 2'         | 24" | 13" | 8"  | 5      |
| ◆ P200A026   | 2"        | 2'-6"      | 30" | 15" | 10" | 6      |
| ◆ P200A040   | 2"        | 4'         | 42" | 19" | 10" | 7      |
| ◆ P200A060   | 2"        | 6'         | 66" | 24" | 12" | 10     |
| ◆ P200A080   | 2"        | 8'         | 90" | 30" | 15" | 12     |

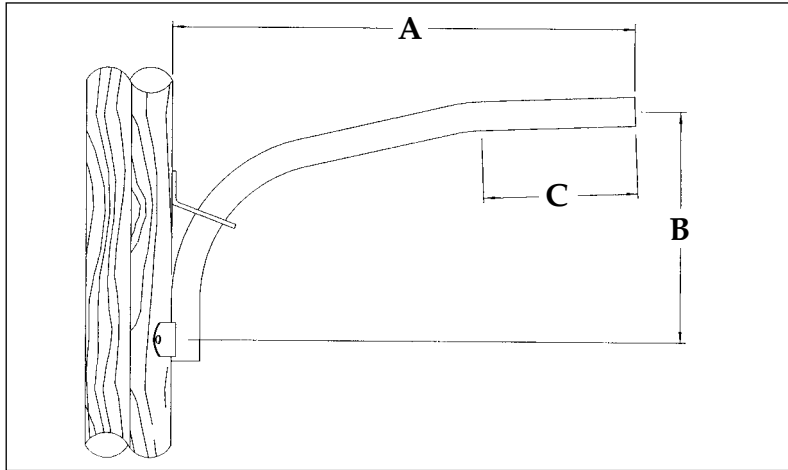
## STEEL

| CATALOG NO. | PIPE SIZE | NOM. LGTH. | A   | B   | C   | WT/LBS |
|-------------|-----------|------------|-----|-----|-----|--------|
| ◆ P125S020  | 1-1/4"    | 2'         | 24" | 13" | 8"  | 7      |
| ◆ P125S024  | 1-1/4"    | 2'-4"      | 28" | 13" | 9"  | 9      |
| ◆ P125S026  | 1-1/4"    | 2'-6"      | 30" | 15" | 10" | 9      |
| ◆ P125S040  | 1-1/4"    | 4'         | 42" | 19" | 10" | 11     |
| ◆ P125S060  | 1-1/4"    | 6'         | 66" | 24" | 12" | 15     |
| ◆ P125S080  | 1-1/4"    | 8'         | 90" | 30" | 15" | 20     |
| P200S020    | 2"        | 2'         | 24" | 13" | 8"  | 14     |
| ◆ P200S026  | 2"        | 2'-6"      | 30" | 15" | 10" | 15     |
| ◆ P200S040  | 2"        | 4'         | 42" | 19" | 10" | 18     |
| ◆ P200S060  | 2"        | 6'         | 66" | 24" | 12" | 24     |
| ◆ P200S080  | 2"        | 8'         | 90" | 30" | 15" | 30     |

◆ indicates stock item (in limited quantity)

## "M" SERIES - CANTILEVER STYLE BRACKET

## WOOD POLE MOUNTING



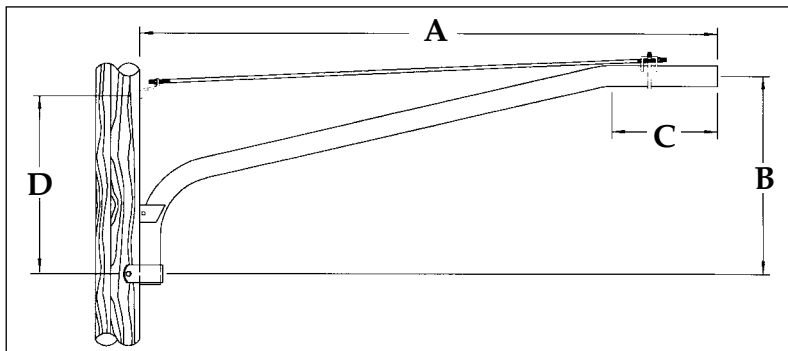
- Mounting hardware not included

### ALUMINUM

| CATALOG NO. | PIPE SIZE | NOM. LGTH. | A   | B   | C   | WT/LBS |
|-------------|-----------|------------|-----|-----|-----|--------|
| ◆ M125A026  | 1-1/4"    | 2'-6"      | 30" | 12" | 12" | 3      |

## "S" SERIES - SINGLE GUY ROD BRACKET

## WOOD POLE MOUNTING



- Guy rod hardware shipped in bags
- Brackets shipped unassembled
- Mounting hardware not included

### ALUMINUM

| CATALOG NO. | PIPE SIZE | NOM. LGTH. | A   | B   | C   | D   | WT/LBS |
|-------------|-----------|------------|-----|-----|-----|-----|--------|
| ◆ S200A060  | 2"        | 6'         | 66" | 24" | 12" | 20" | 14     |
| ◆ S200A080  | 2"        | 8'         | 90" | 30" | 15" | 22" | 16     |

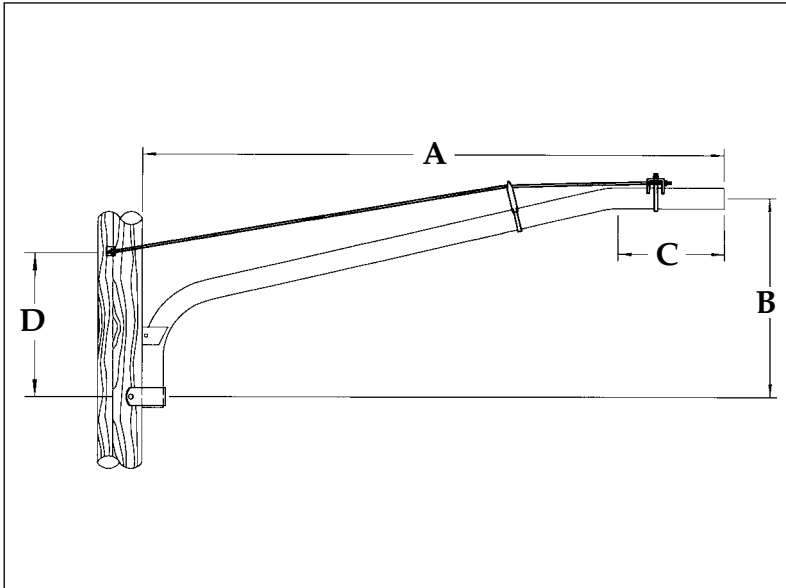
### STEEL

| CATALOG NO. | PIPE SIZE | NOM. LGTH. | A    | B   | C   | D   | WT/LBS |
|-------------|-----------|------------|------|-----|-----|-----|--------|
| ◆ S125S060  | 1-1/4"    | 6'         | 66"  | 24" | 12" | 20" | 20     |
| ◆ S125S080  | 1-1/4"    | 8'         | 90"  | 30" | 15" | 22" | 23     |
| ◆ S125S100  | 1-1/4"    | 10'        | 114" | 35" | 18" | 24" | 26     |
| ◆ S200S060  | 2"        | 6'         | 66"  | 24" | 12" | 20" | 27     |
| ◆ S200S080  | 2"        | 8'         | 90"  | 30" | 15" | 22" | 34     |
| ◆ S200S100  | 2"        | 10'        | 114" | 35" | 18" | 24" | 42     |
| ◆ S200S120  | 2"        | 12'        | 138" | 40" | 21" | 26" | 50     |

◆ indicates stock item (in limited quantity)

## "D" SERIES - DOUBLE GUY ROD BRACKET

## WOOD POLE MOUNTING



- Guy rod hardware shipped in bags
- Brackets shipped unassembled
- Mounting hardware not included

### ALUMINUM

| CATALOG NO. | PIPE SIZE | NOM. LGTH. | A    | B   | C   | D   | WT/LBS |
|-------------|-----------|------------|------|-----|-----|-----|--------|
| ◆ D200A080  | 2"        | 8'         | 90"  | 30" | 15" | 22" | 23     |
| ◆ D200A100  | 2"        | 10'        | 114" | 35" | 18" | 24" | 27     |
| ◆ D200A120  | 2"        | 12'        | 138" | 41" | 21" | 26" | 32     |

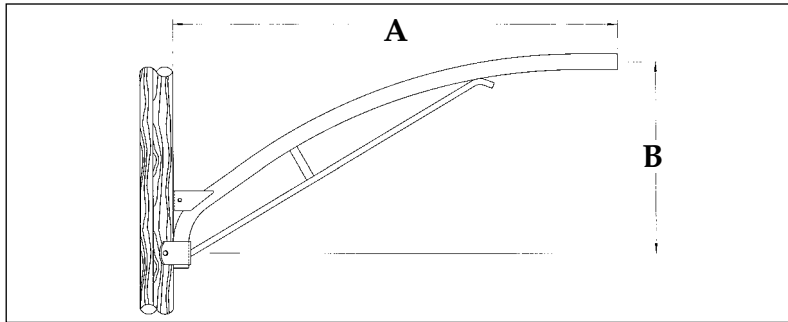
### STEEL

| CATALOG NO. | PIPE SIZE | NOM. LGTH. | A    | B   | C   | D   | WT/LBS |
|-------------|-----------|------------|------|-----|-----|-----|--------|
| ◆ D125S080  | 1-1/4"    | 8'         | 90"  | 30" | 15" | 22" | 32     |
| ◆ D125S100  | 1-1/4"    | 10'        | 114" | 35" | 18" | 24" | 36     |
| ◆ D125S120  | 1-1/4"    | 12'        | 138" | 41" | 21" | 26" | 43     |
| ◆ D125S140  | 1-1/4"    | 14'        | 162" | 47" | 24" | 28" | 50     |
| ◆ D200S080  | 2"        | 8'         | 90"  | 30" | 15" | 22" | 42     |
| ◆ D200S100  | 2"        | 10'        | 114" | 35" | 18" | 24" | 51     |
| ◆ D200S120  | 2"        | 12'        | 138" | 41" | 21" | 26" | 59     |
| ◆ D200S140  | 2"        | 14'        | 162" | 47" | 24" | 28" | 66     |
| ◆ D200S160  | 2"        | 16'        | 186" | 52" | 27" | 32" | 78     |

◆ indicates stock item (in limited quantity)

## "U" SERIES - CONTINUOUS UPSWEEP BRACKET W/UNDERBRACE

## WOOD POLE MOUNTING



- Mounting hardware not included

### ALUMINUM

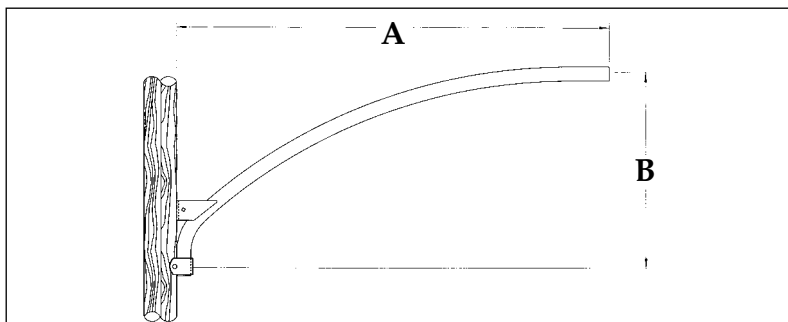
| CATALOG NO. | PIPE SIZE | NOM. LGTH. | A   | B   | WT/LBS |
|-------------|-----------|------------|-----|-----|--------|
| U125A060U   | 1-1/4"    | 6'         | 66" | 30" | 9      |
| ◆ U200A060U | 2"        | 6'         | 66" | 30" | 12     |
| ◆ U200A080U | 2"        | 8'         | 90" | 30" | 15     |

### STEEL

| CATALOG NO. | PIPE SIZE | NOM. LGTH. | A   | B   | WT/LBS |
|-------------|-----------|------------|-----|-----|--------|
| ◆ U125S060U | 1-1/4"    | 6'         | 66" | 30" | 26     |
| ◆ U125S080U | 1-1/4"    | 8'         | 90" | 30" | 30     |
| U200S060U   | 2"        | 6'         | 66" | 30" | 37     |
| U200S080U   | 2"        | 8'         | 90" | 30" | 45     |

## "U" SERIES - CONTINUOUS UPSWEEP BRACKET

## WOOD POLE MOUNTING



- Mounting hardware not included

### ALUMINUM

| CATALOG NO. | PIPE SIZE | NOM. LGTH. | A   | B   | WT/LBS |
|-------------|-----------|------------|-----|-----|--------|
| U125A040    | 1-1/4"    | 4'         | 43" | 22" | 5      |
| ◆ U200A040  | 2"        | 4'         | 43" | 22" | 8      |
| ◆ U200A060  | 2"        | 6'         | 66" | 30" | 10     |

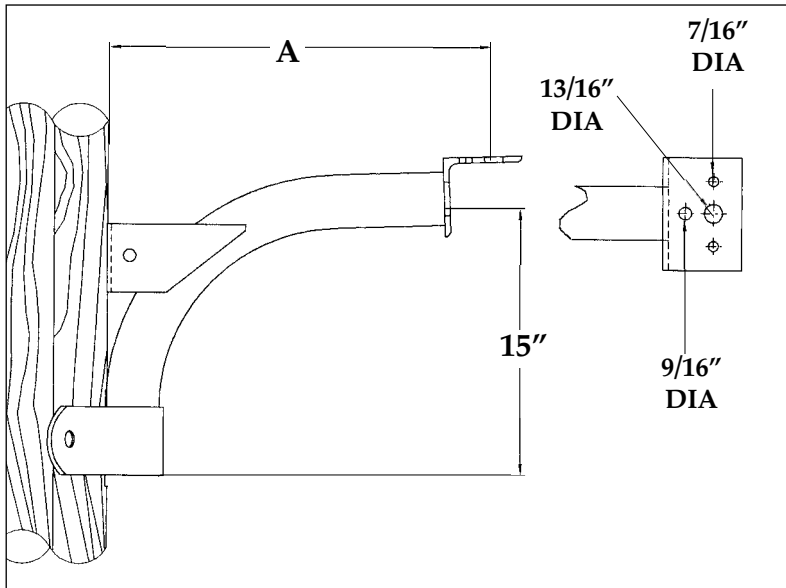
### STEEL

| CATALOG NO. | PIPE SIZE | NOM. LGTH. | A   | B   | WT/LBS |
|-------------|-----------|------------|-----|-----|--------|
| ◆ U125S040  | 1-1/4"    | 4'         | 43" | 22" | 13     |
| ◆ U125S060  | 1-1/4"    | 6'         | 66" | 30" | 18     |
| ◆ U200S040  | 2"        | 4'         | 43" | 22" | 22     |
| ◆ U200S060  | 2"        | 6'         | 66" | 30" | 32     |
| ◆ U200S080  | 2"        | 8'         | 90" | 30" | 40     |

◆ indicates stock item (in limited quantity)

## "P" SERIES - CROSS ARM BRACKET

## WOOD POLE MOUNTING



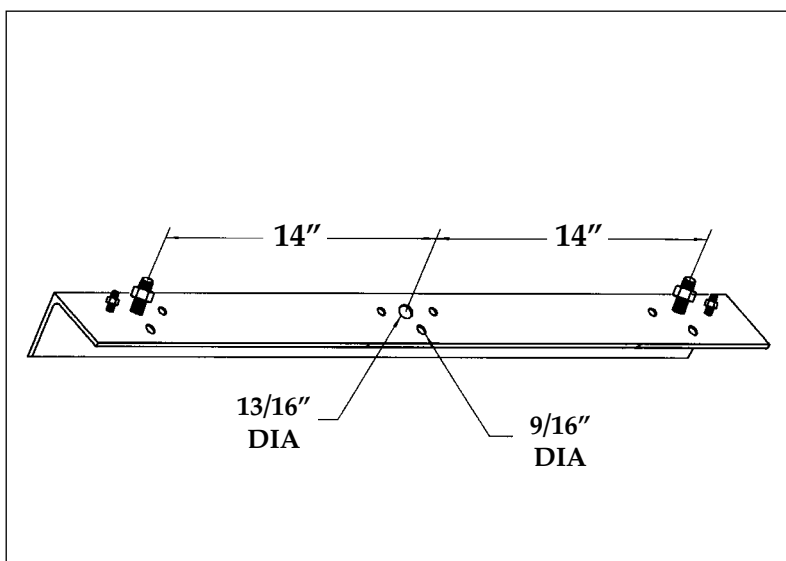
- Fixture mounting hardware included
- Finish: Hot dip galvanized
- For primer, substitute "P" in place of "S"

### STEEL

| CATALOG NO. | PIPE SIZE | NOM. LGTH. | A   | WT/LBS |
|-------------|-----------|------------|-----|--------|
| ◆ P200S016C | 2"        | 1'-6"      | 18" | 14     |
| ◆ P200S026C | 2"        | 2'-6"      | 30" | 15     |
| P200S040C   | 2"        | 4'         | 48" | 20     |

## TWIN CROSS ARM ADAPTER ANGLE BRACKET

## CROSS ARM MOUNTING



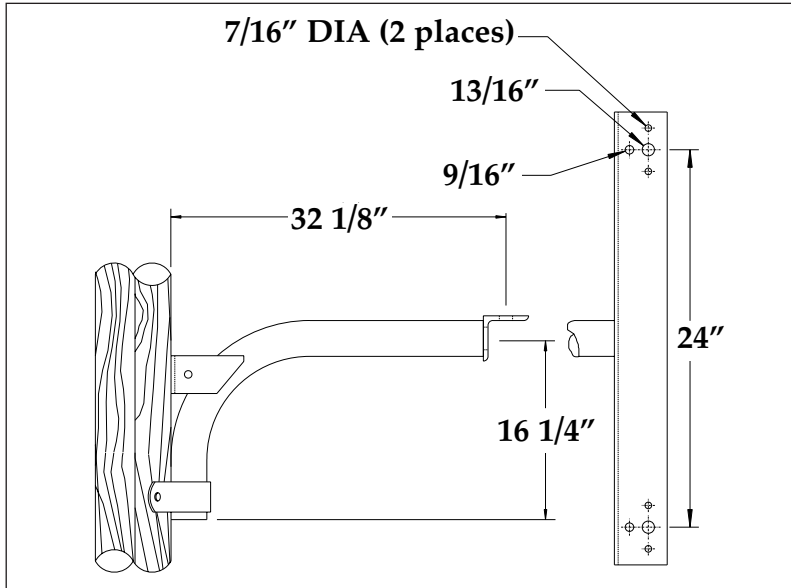
- Fixture mounting hardware included
- Wiring access optional
- Finish: Hot dip galvanized

### STEEL

| CATALOG NO.                                  | WT/LBS |
|--|--------|
| ◆ TCAA33                                     | 20     |
| ◆ indicates stock item (in limited quantity) |        |

# "P" SERIES - TWIN CROSS ARM BRACKET

## WOOD POLE MOUNTING



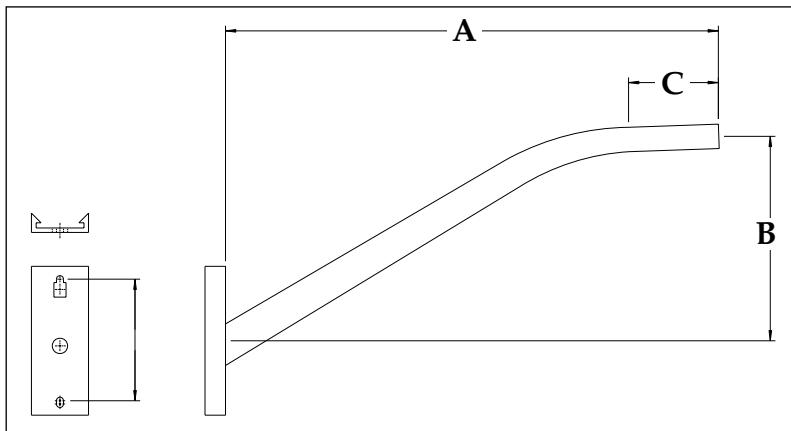
- Fixture mounting hardware included
- Finish: Hot dip galvanized
- For primer, substitute "P" in place of "S"

### STEEL

| CATALOG NO. | PIPE SIZE | NOM. LGTH. | WT/LBS |
|-------------|-----------|------------|--------|
| ◆ P200S026T | 2"        | 2'-5"      | 31     |

# "B" SERIES - TAPERED ELLIPTICAL BRACKET

## WOOD POLE MOUNTING



- Mounting hardware not included
- Wiring access optional
- Consult manufacturer for mounting hole spacing

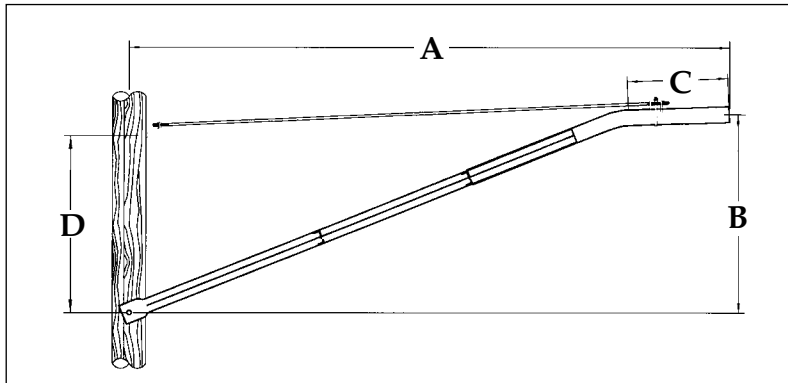
### ALUMINUM

| CATALOG NO.    | PIPE SIZE | NOM. LGTH. | A    | B       | C      | WT/LBS |
|----------------|-----------|------------|------|---------|--------|--------|
| ◆ B200A026-4.0 | 2"        | 2'-6"      | 30"  | 12"     | 10"    | 9      |
| ◆ B200A040-3.0 | 2"        | 4'         | 48"  | 20 1/4" | 8 3/4" | 10     |
| ◆ B200A060-3.5 | 2"        | 6'         | 72"  | 30 7/8" | 10"    | 17     |
| ◆ B200A080-4.0 | 2"        | 8'         | 96"  | 44 7/8" | 9"     | 19     |
| ◆ B200A100-4.0 | 2"        | 10'        | 120" | 51 1/8" | 12"    | 21     |

◆ indicates stock item (in limited quantity)

## "A" SERIES - A-FRAME BRACKET 8' - 12'

## WOOD POLE MOUNTING



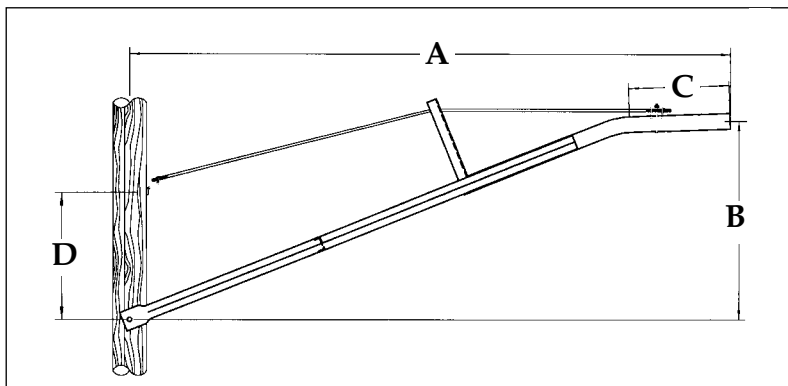
- Guy rod hardware shipped in bags
- Brackets shipped unassembled
- Mounting hardware not included
- Finish: Hot dip galvanized

### STEEL

| CATALOG NO. | PIPE SIZE | NOM. LGTH. | A    | B   | C   | D   | WT/LBS |
|-------------|-----------|------------|------|-----|-----|-----|--------|
| A125S080    | 1-1/4"    | 8'         | 90"  | 30" | 11" | 28" | 34     |
| A125S100    | 1-1/4"    | 10'        | 114" | 35" | 14" | 28" | 42     |
| A125S120    | 1-1/4"    | 12'        | 138" | 43" | 17" | 28" | 49     |
| A200S080    | 2"        | 8'         | 90"  | 30" | 11" | 28" | 39     |
| A200S100    | 2"        | 10'        | 114" | 35" | 14" | 28" | 48     |
| A200S120    | 2"        | 12'        | 138" | 43" | 17" | 28" | 56     |

## "A" SERIES - A-FRAME BRACKET 14' - 20'

## WOOD POLE MOUNTING



- Guy rod hardware shipped in bags
- Brackets shipped unassembled
- Mounting hardware not included
- Finish: Hot dip galvanized

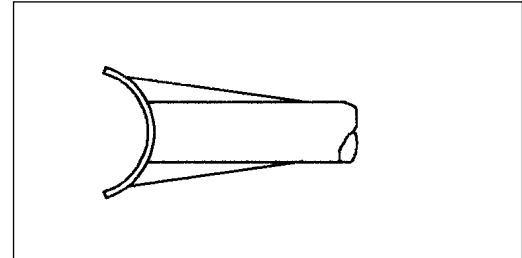
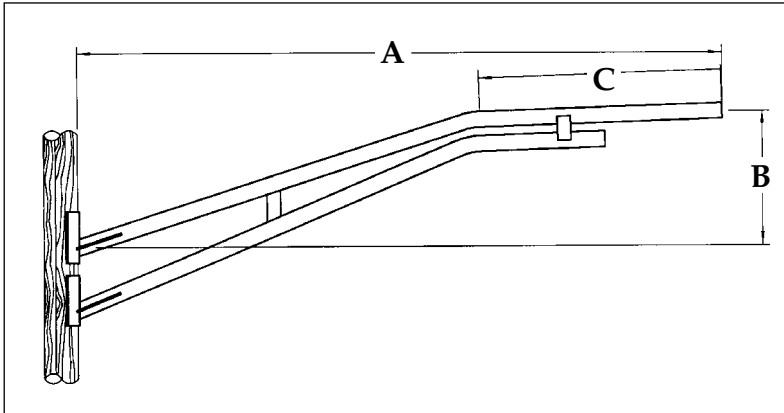
### STEEL

| CATALOG NO. | PIPE SIZE | NOM. LGTH. | A    | B   | C   | D   | WT/LBS |
|-------------|-----------|------------|------|-----|-----|-----|--------|
| A125S140    | 1-1/4"    | 14'        | 162" | 50" | 20" | 28" | 64     |
| A125S160    | 1-1/4"    | 16'        | 186" | 56" | 23" | 28" | 70     |
| A200S140    | 2"        | 14'        | 162" | 50" | 20" | 28" | 72     |
| A200S160    | 2"        | 16'        | 186" | 56" | 23" | 28" | 80     |
| A200S180*   | 2"        | 18'        | 210" | 66" | 26" | 24" | 88     |
| A200S200*   | 2"        | 20'        | 234" | 73" | 29" | 21" | 96     |

\* Also available with 1-1/4" slipfit end

# TRUSS BRACKET

# WOOD POLE MOUNTING



**Wood Pole Mounting**  
Mounting Hardware Not Included.

## ALUMINUM

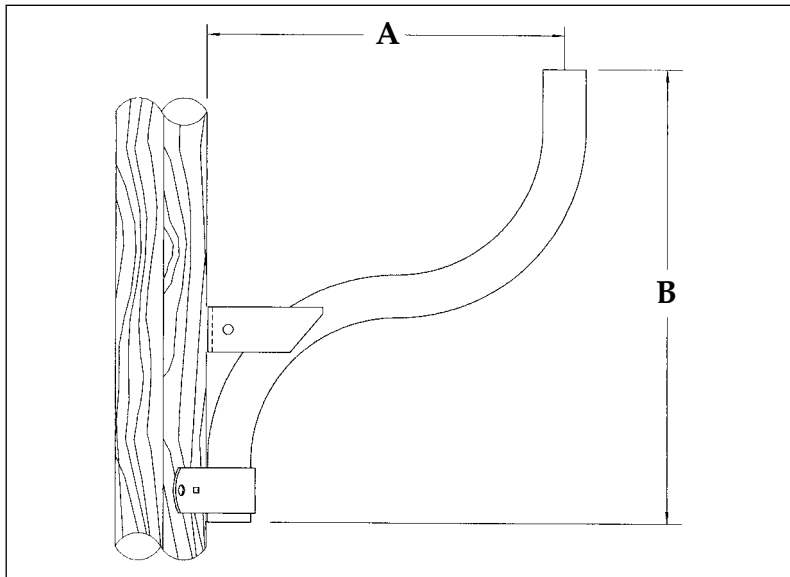
| CATALOG NO. | PIPE SIZE | NOM. LGTH. | A    | B   | C   | WT/LBS |
|-------------|-----------|------------|------|-----|-----|--------|
| C200A060X   | 2"        | 6'         | 72"  | 13" | 36" | 20     |
| C200A080X   | 2"        | 8'         | 96"  | 21" | 36" | 25     |
| C200A100X   | 2"        | 10'        | 120" | 28" | 36" | 30     |
| C200A120X   | 2"        | 12'        | 144" | 36" | 36" | 35     |
| C200A140X   | 2"        | 14'        | 168" | 44" | 36" | 40     |
| C200A150X   | 2"        | 15'        | 180" | 48" | 36" | 45     |

## STEEL

| CATALOG NO. | PIPE SIZE | NOM. LGTH. | A    | B   | C   | WT/LBS |
|-------------|-----------|------------|------|-----|-----|--------|
| C200S060X   | 2"        | 6'         | 72"  | 13" | 36" | 58     |
| C200S080X   | 2"        | 8'         | 96"  | 21" | 36" | 72     |
| C200S100X   | 2"        | 10'        | 120" | 28" | 36" | 85     |
| C200S120X   | 2"        | 12'        | 144" | 36" | 36" | 99     |
| C200S140X   | 2"        | 14'        | 168" | 44" | 36" | 112    |
| C200S150X   | 2"        | 15'        | 180" | 48" | 36" | 122    |
| C200S160X   | 2"        | 16'        | 186" | 52" | 36" | 171    |
| C200S180X   | 2"        | 18'        | 210" | 60" | 36" | 188    |
| C200S200X   | 2"        | 20'        | 234" | 68" | 36" | 205    |

## SINGLE FLOODLIGHT BRACKET

## WOOD POLE MOUNTING



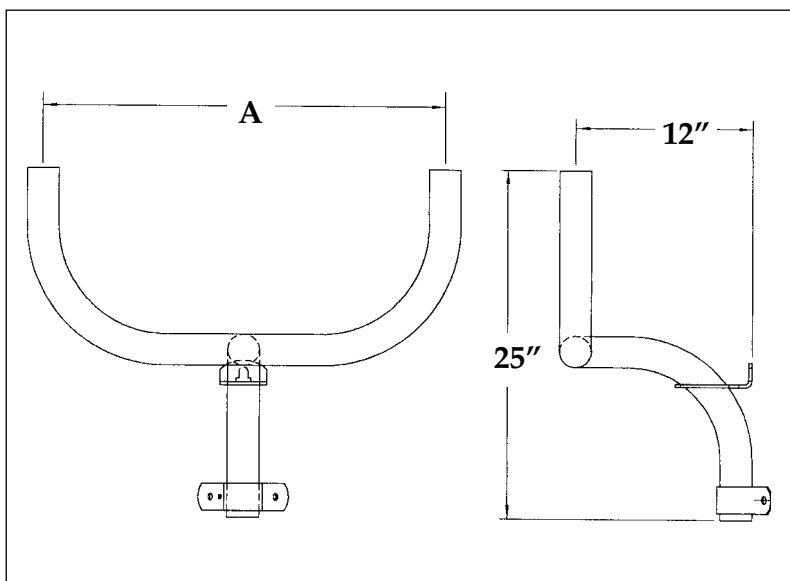
- Mounting hardware not included
- Finish: Primer  
Hot dip galvanized

### STEEL

| CATALOG NO. | PIPE SIZE | A   | B   | WT/LBS |
|-------------|-----------|-----|-----|--------|
| ◆ SF-18G    | 2"        | 18" | 23" | 15     |
| ◆ SF-07P    | 2"        | 7"  | 20" | 11     |
| ◆ SF-07G    | 2"        | 7"  | 20" | 12     |

## DOUBLE FLOODLIGHT BRACKET

## WOOD POLE MOUNTING



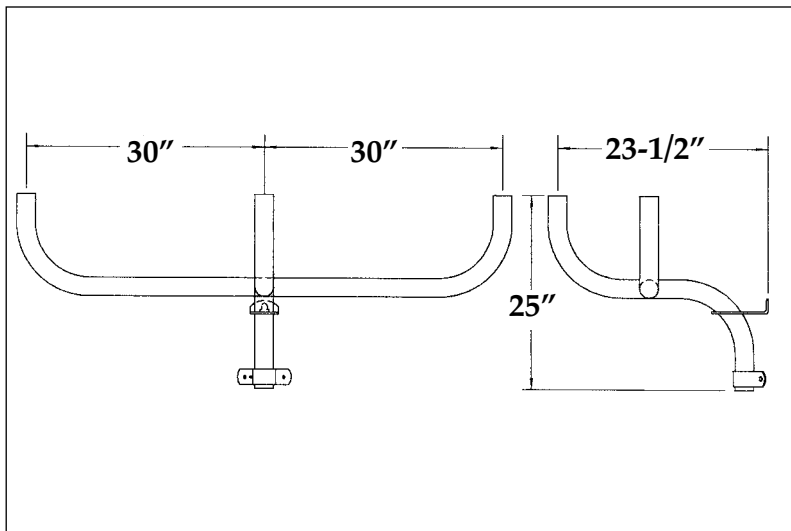
- Mounting hardware not included
- Finish: Primer  
Hot dip galvanized

### STEEL

| CATALOG NO.                                  | PIPE SIZE. | A   | WT/LBS |
|--|------------|-----|--------|
| ◆ DF-30P                                     | 2"         | 30" | 25     |
| ◆ DF-30G                                     | 2"         | 30" | 27     |
| ◆ indicates stock item (in limited quantity) |            |     |        |

## TRIPLE FLOODLIGHT BRACKET

## WOOD POLE MOUNTING



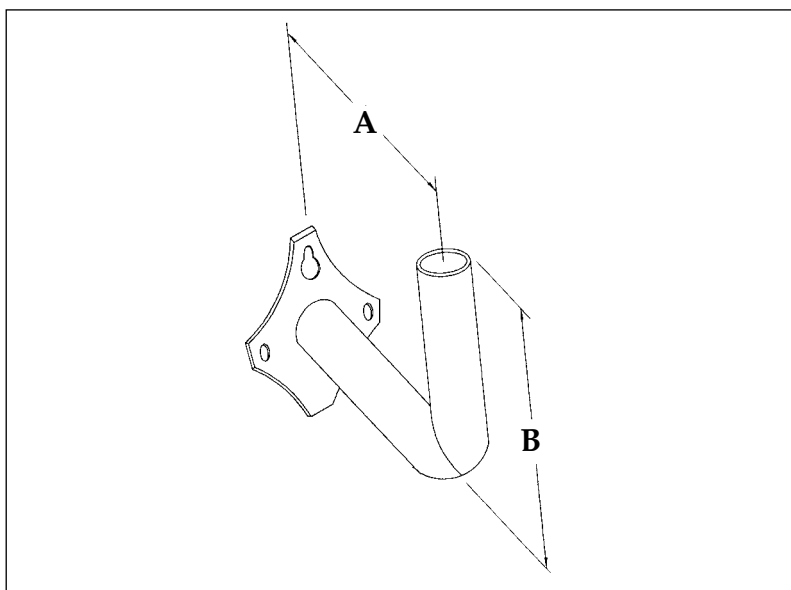
- Mounting hardware not included
- Finish: Hot dip galvanized
- For primer, substitute "P" in place of "G"

### STEEL

| CATALOG NO. | PIPE SIZE. | WT/LBS |
|-------------|------------|--------|
| ◆ TF-30G    | 2"         | 43     |

## RIGHT ANGLE BRACKET

## WOOD POLE MOUNTING



- Mounting hardware not included
- Finish: Primer
- For hot dip galvanized, substitute "G" in place of "P"

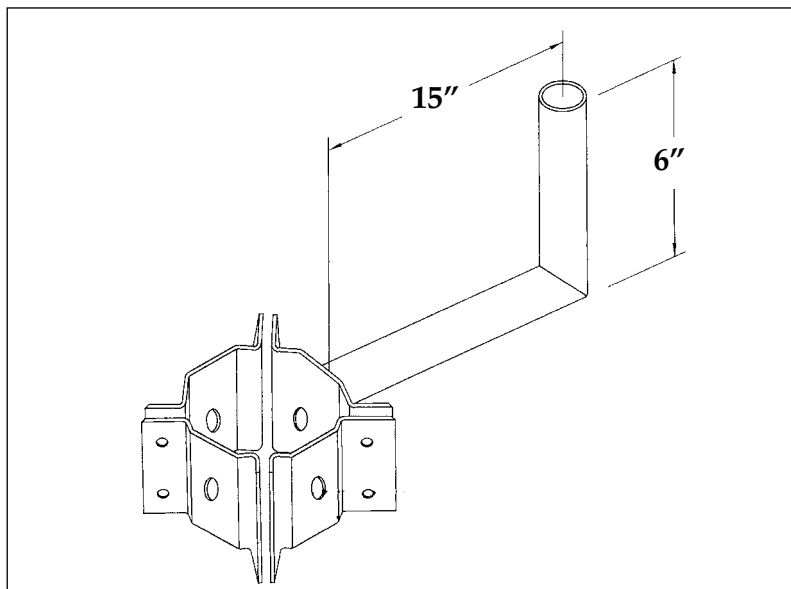
### STEEL

| CATALOG NO. | PIPE SIZE | A       | B   | WT/LBS |
|-------------|-----------|---------|-----|--------|
| ◆ RAB-WM-P  | 2"        | 12"     | 13" | 12     |
| RABH-WM-P   | 2"        | 8-1/2"  | 8"  | 11     |
| RABH14-WM-P | 2"        | 14-1/2" | 8"  | 12     |

◆ indicates stock item (in limited quantity)

## WRAP AROUND BRACKET – ONE ARM

## WOOD POLE MOUNTING



- All brackets shipped complete with hardware
- Finish: Primer
- For hot dip galvanized, substitute "G" in place of "P"

### STEEL

#### CATALOG NO.

- ◆ W1-P-7-10
- ◆ W1-P-10-13

#### POLE DIA.

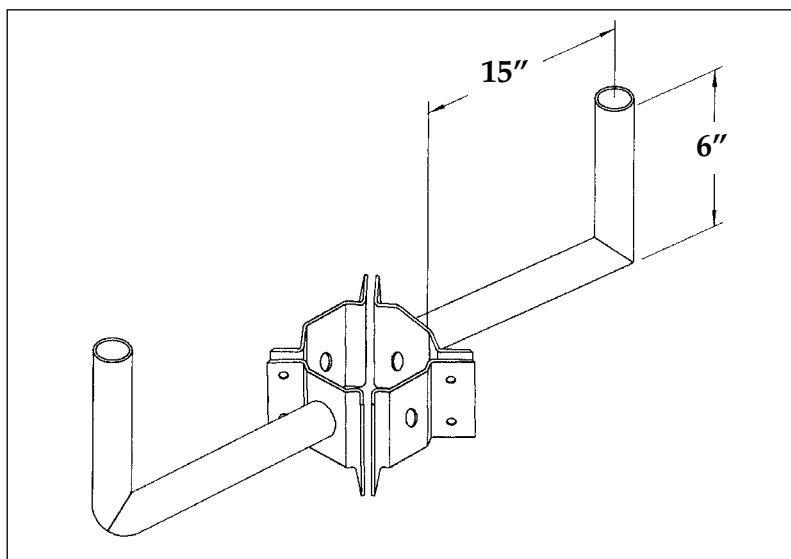
- 7"-10"
- 10"-13"

#### WT/LBS

- 21
- 21

## WRAP AROUND BRACKET – TWO ARM

## WOOD POLE MOUNTING



- All brackets shipped complete with hardware
- Finish: Primer
- For hot dip galvanized, substitute "G" in place of "P"

### STEEL

#### CATALOG NO.

- ◆ W2-P-7-10
- ◆ W2-P-10-13
- ◆ indicates stock item (in limited quantity)

#### POLE DIA.

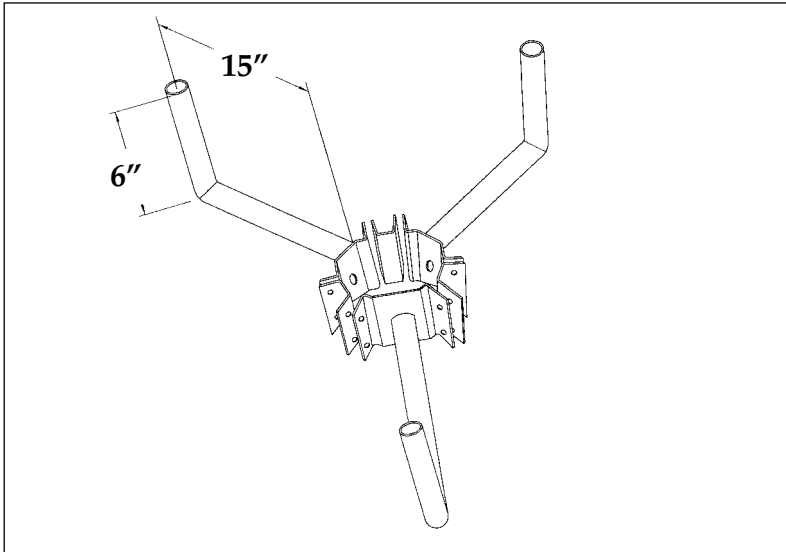
- 7"-10"
- 10"-13"

#### WT/LBS

- 28
- 28

## WRAP AROUND BRACKET – THREE ARM

## WOOD POLE MOUNTING



- All brackets shipped complete with hardware
- Finish: Primer
- For hot dip galvanized, substitute "G" in place of "P"

### STEEL

#### CATALOG NO.

- ◆ W3-P-7-10
- ◆ W3-P-10-13

#### POLE DIA.

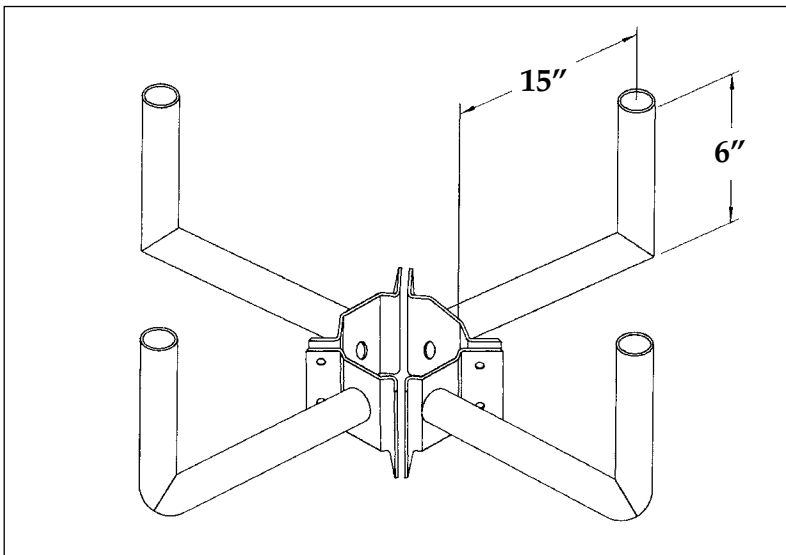
- 7"-10"
- 10"-13"

#### WT/LBS

- 32
- 35

## WRAP AROUND BRACKET – FOUR ARM

## WOOD POLE MOUNTING



- All brackets shipped complete with hardware
- Finish: Primer
- For hot dip galvanized, substitute "G" in place of "P"

### STEEL

#### CATALOG NO.

- ◆ W4-P-7-10
- ◆ W4-P-10-13

#### POLE DIA.

- 7"-10"
- 10"-13"

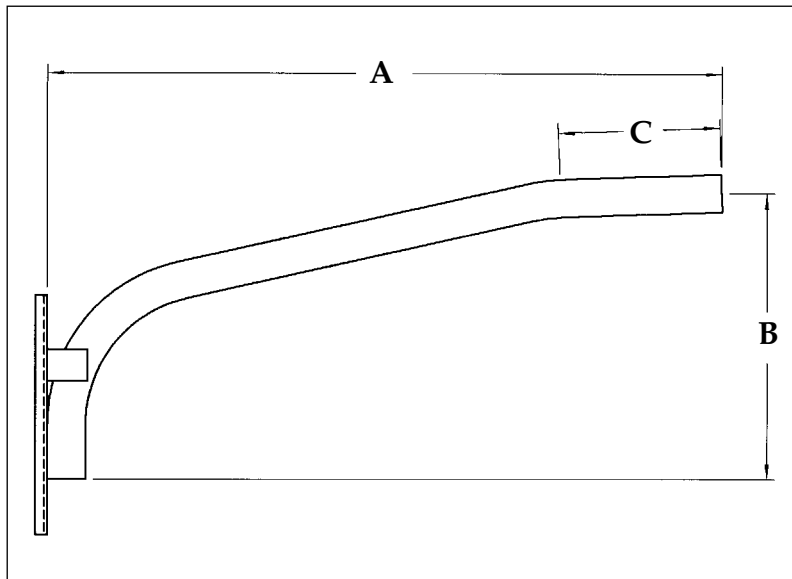
#### WT/LBS

- 43
- 43

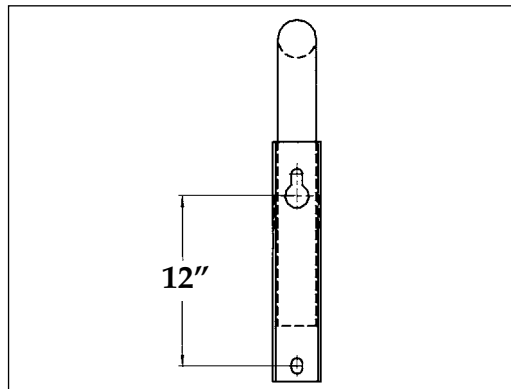
◆ indicates stock item (in limited quantity)

# "P" SERIES - CANTILEVER STYLE BRACKET W/UNIVERSAL BASE

## CONCRETE & STEEL POLE MOUNTING



- Round poles
- Square poles 4" and larger
- Octagonal poles having minimum 4" flat
- Mounting hardware not included



### ALUMINUM

| CATALOG NO. | PIPE SIZE | NOM. LGTH. | A   | B   | C   | WT/LBS |
|-------------|-----------|------------|-----|-----|-----|--------|
| P125A040B   | 1-1/4"    | 4'         | 42" | 18" | 10" | 6      |
| P200A040B   | 2"        | 4'         | 42" | 18" | 10" | 8      |
| ◆ P200A060B | 2"        | 6'         | 66" | 24" | 12" | 11     |
| P200A080B   | 2"        | 8'         | 90" | 30" | 15" | 14     |

### STEEL

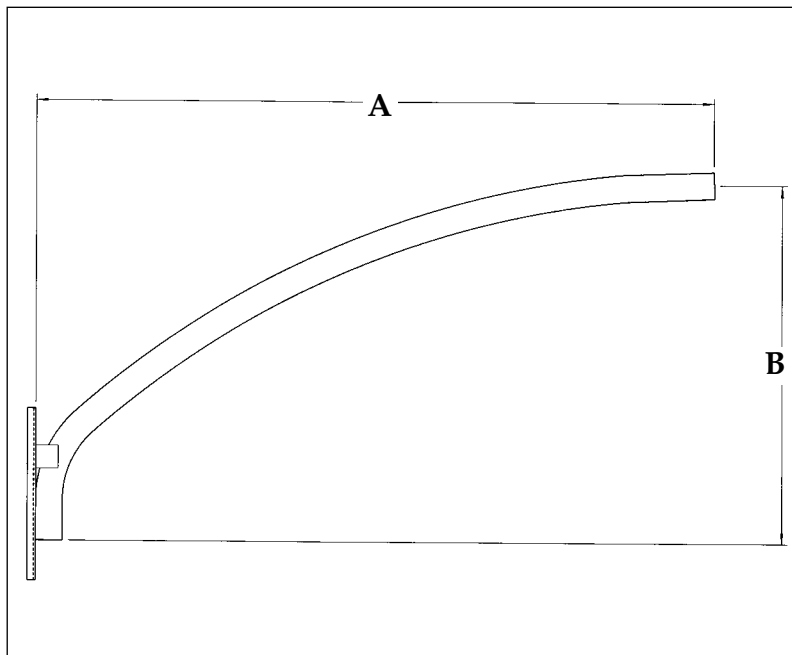
| CATALOG NO. | PIPE SIZE | NOM. LGTH. | A   | B   | C   | WT/LBS |
|-------------|-----------|------------|-----|-----|-----|--------|
| P125S040B   | 1-1/4"    | 4'         | 42" | 18" | 10" | 13     |
| P125S060B   | 1-1/4"    | 6'         | 66" | 24" | 12" | 17     |
| P200S040B   | 2"        | 4'         | 42" | 18" | 10" | 18     |
| P200S060B   | 2"        | 6'         | 66" | 24" | 12" | 24     |
| P200S080B*  | 2"        | 8'         | 90" | 30" | 15" | 30     |

\*Also available with 1-1/4" slipfit end.

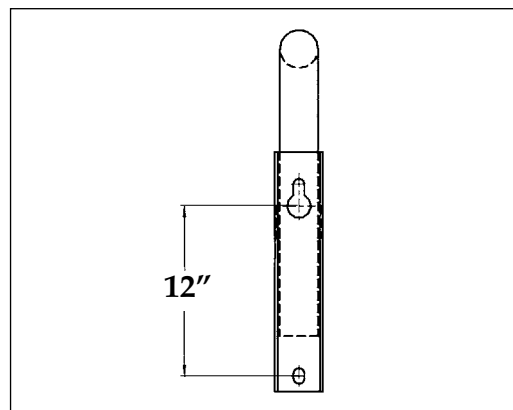
◆ indicates stock item (in limited quantity)

# "U" SERIES - CONTINUOUS UPSWEEP BRACKET W/UNIVERSAL BASE

## CONCRETE & STEEL POLE MOUNTING



- Round poles
- Square poles 4" and larger
- Octagonal poles having minimum 4" flat
- Finish: hot dip galvanized
- Mounting hardware not included



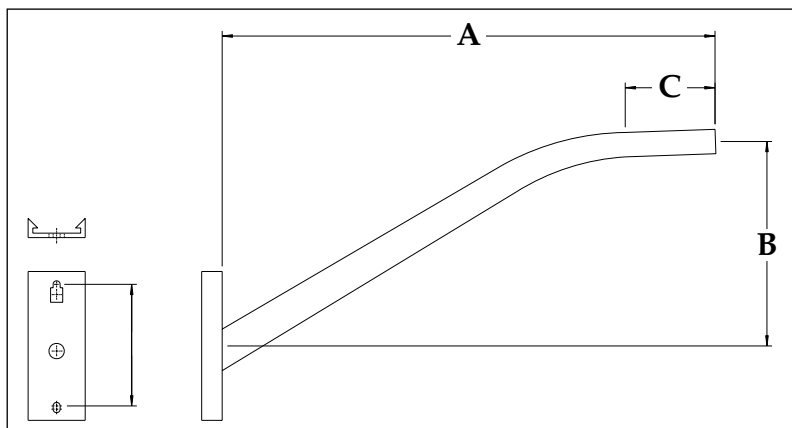
### STEEL

| CATALOG NO. | PIPE SIZE | NOM. LGTH. | A   | B   | WT/LBS |
|-------------|-----------|------------|-----|-----|--------|
| ◆U125S040B  | 1 1/4"    | 4"         | 43" | 22" | 16     |
| ◆U200S060B  | 2"        | 6"         | 66" | 30" | 29     |
| U200S080B   | 2"        | 8"         | 90" | 30" | 36     |

◆ indicates stock item (in limited quantity)

## "B" SERIES - TAPERED ELLIPTICAL BRACKET

## CONCRETE & STEEL POLE MOUNTING



### FOR ROUND POLES

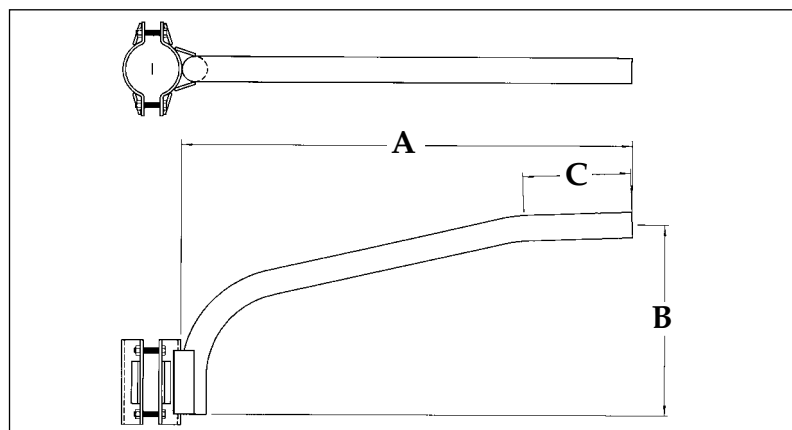
- Mounting hardware not included
- Wiring access optional
- Consult manufacturer for mounting hole spacing

### ALUMINUM

| CATALOG NO.   | PIPE SIZE | NOM. LGTH. | A    | B       | C      | WT/LBS |
|---------------|-----------|------------|------|---------|--------|--------|
| ◆B200A026-4.0 | 2"        | 2'-6"      | 30"  | 12"     | 10"    | 9      |
| ◆B200A040-3.0 | 2"        | 4'         | 48"  | 20 1/4" | 8 3/4" | 10     |
| ◆B200A060-3.5 | 2"        | 6'         | 72"  | 30 7/8" | 10"    | 17     |
| ◆B200A080-4.0 | 2"        | 8'         | 96"  | 44 7/8" | 9"     | 19     |
| ◆B200A100-4.0 | 2"        | 10'        | 120" | 51 1/8" | 12"    | 21     |

## "E" SERIES - CANTILEVER STYLE BRACKET

## CONCRETE & STEEL POLE MOUNTING



### FOR ROUND POLES

- Mounting hardware included
- Indicate pole diameter when ordering
- Finish: Hot dip galvanized
- Also available: square and octagonal pole mounting

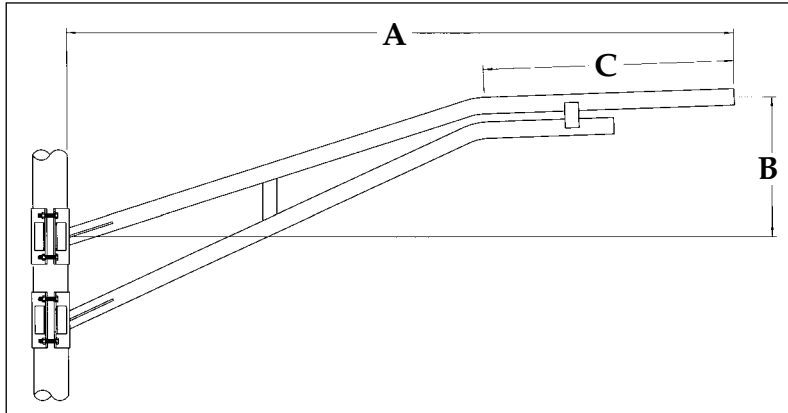
### STEEL

| CATALOG NO. | PIPE SIZE | NOM. LGTH. | A   | B   | C   |
|-------------|-----------|------------|-----|-----|-----|
| E125S026NX  | 1-1/4"    | 2'-6"      | 30" | 15" | 10" |
| E125S040NX  | 1-1/4"    | 4'         | 42" | 19" | 10" |
| E125S060NX  | 1-1/4"    | 6'         | 66" | 24" | 12" |
| E200S026NX  | 2"        | 2'-6"      | 30" | 15" | 10" |
| E200S040NX  | 2"        | 4'         | 42" | 19" | 10" |
| E200S060NX  | 2"        | 6'         | 66" | 24" | 12" |
| E200S080NX  | 2"        | 8'         | 90" | 30" | 15" |

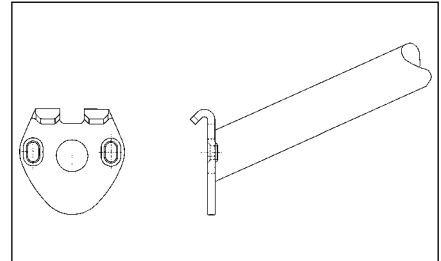
◆ indicates stock item (in limited quantity)

# TRUSS BRACKET

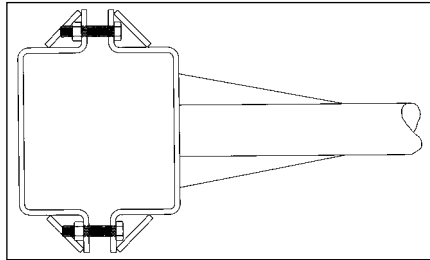
# CONCRETE & STEEL POLE MOUNTING



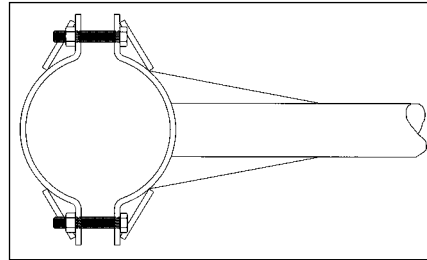
- Indicate pole size and mounting style when ordering
- Octagonal pole mounting also available



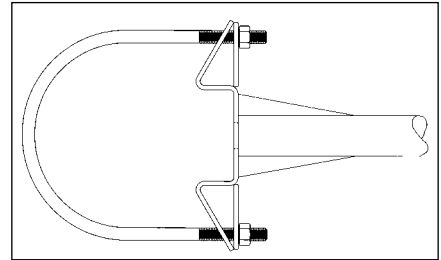
Simplex Mounting (Add SIMPX to P/N)



Square Pole Mounting  
Mounting Hardware Included.



Round Pole Mounting  
Mounting Hardware Included.



U-Bolt Mounting for Round Pole  
Mounting Hardware Included.

## ALUMINUM

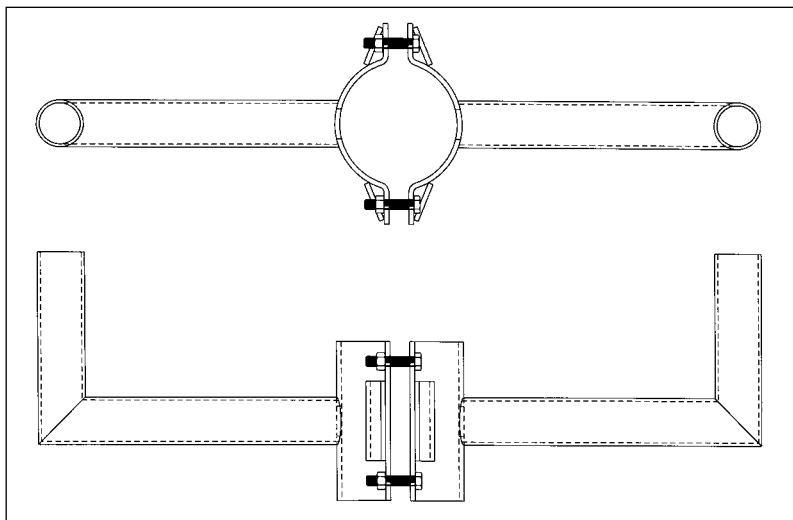
| CATALOG NO. | PIPE SIZE | NOM. LGTH. | A    | B   | C   | WT/LBS |
|-------------|-----------|------------|------|-----|-----|--------|
| C200A060NX  | 2"        | 6'         | 72"  | 13" | 36" | 20     |
| C200A080NX  | 2"        | 8'         | 96"  | 21" | 36" | 25     |
| C200A100NX  | 2"        | 10'        | 120" | 28" | 36" | 30     |
| C200A120NX  | 2"        | 12'        | 144" | 36" | 36" | 35     |
| C200A140NX  | 2"        | 14'        | 168" | 44" | 36" | 40     |
| C200A150NX  | 2"        | 15'        | 180" | 48" | 36" | 45     |

## STEEL

| CATALOG NO. | PIPE SIZE | NOM. LGTH. | A    | B   | C   | WT/LBS |
|-------------|-----------|------------|------|-----|-----|--------|
| C200S060NX  | 2"        | 6'         | 72"  | 13" | 36" | 58     |
| C200S080NX  | 2"        | 8'         | 96"  | 21" | 36" | 72     |
| C200S100NX  | 2"        | 10'        | 120" | 28" | 36" | 85     |
| C200S120NX  | 2"        | 12'        | 144" | 36" | 36" | 99     |
| C200S140NX  | 2"        | 14'        | 168" | 44" | 36" | 112    |
| C200S150NX  | 2"        | 15'        | 180" | 48" | 36" | 122    |
| C200S160NX  | 2"        | 16'        | 186" | 52" | 36" | 171    |
| C200S180NX  | 2"        | 18'        | 210" | 60" | 36" | 188    |
| C200S200NX  | 2"        | 20'        | 234" | 68" | 36" | 205    |

## RIGHT ANGLE WRAP BRACKET FOR ROUND POLES

## CONCRETE & STEEL POLE MOUNTING



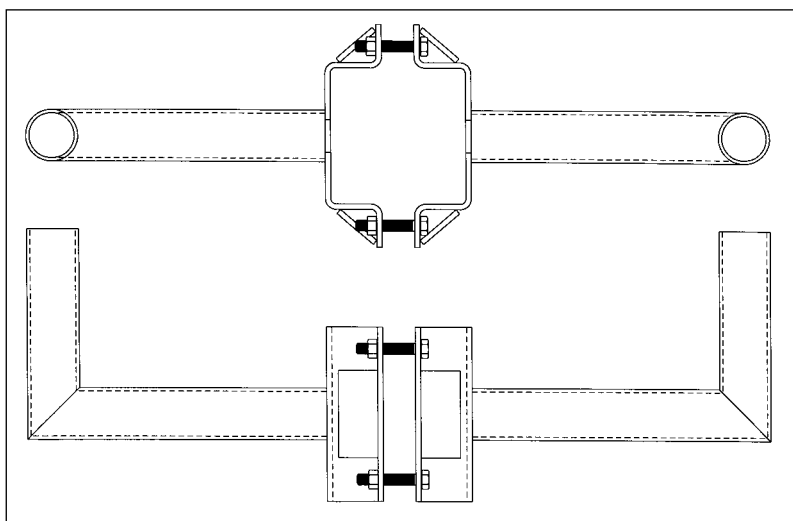
- Indicate pole size when ordering
- Fixture mounting hardware included
- Specify finish: "G" for hot dip galvanized, "P" for primer, "DB" for dark bronze
- Single arm and 18" arms are also available
- Wrap brackets for octagonal poles are also available

### STEEL

| CATALOG NO.   | ARM    | PIPE SIZE | HORIZONTAL | VERTICAL |
|---------------|--------|-----------|------------|----------|
| RABH-14-RNDB  | SINGLE | 2"        | 14"        | 8"       |
| RABH-14-RNDB2 | DOUBLE | 2"        | 14"        | 8"       |

## RIGHT ANGLE WRAP BRACKET FOR SQUARE POLES

## CONCRETE & STEEL POLE MOUNTING

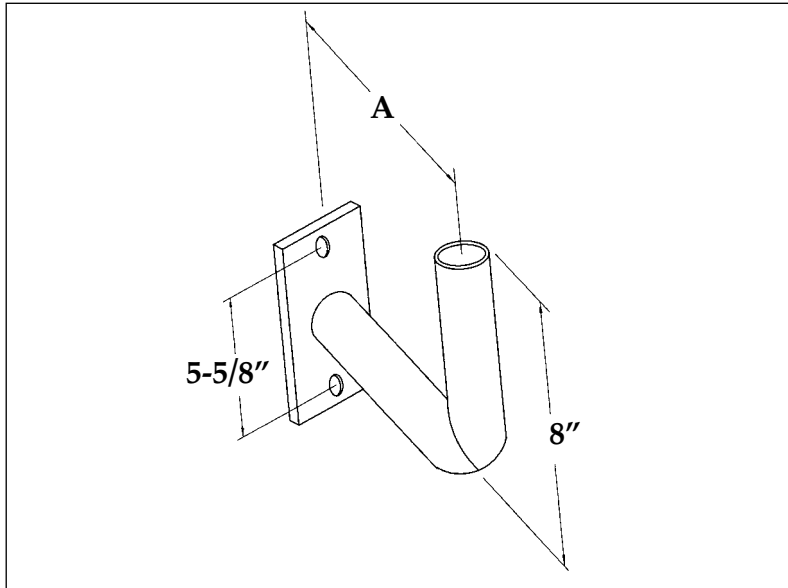


- Indicate pole size when ordering
- Fixture mounting hardware included
- Specify finish: "G" for hot dip galvanized, "P" for primer, "DB" for dark bronze
- Single arm and 18" arms are also available
- Wrap brackets for octagonal poles are also available

### STEEL

| CATALOG NO.   | ARM    | PIPE SIZE | HORIZONTAL | VERTICAL |
|---------------|--------|-----------|------------|----------|
| RABH-14-SNDB  | SINGLE | 2"        | 14"        | 8"       |
| RABH-14-SNDB2 | DOUBLE | 2"        | 14"        | 8"       |

## HEAVY RIGHT ANGLE BRACKET



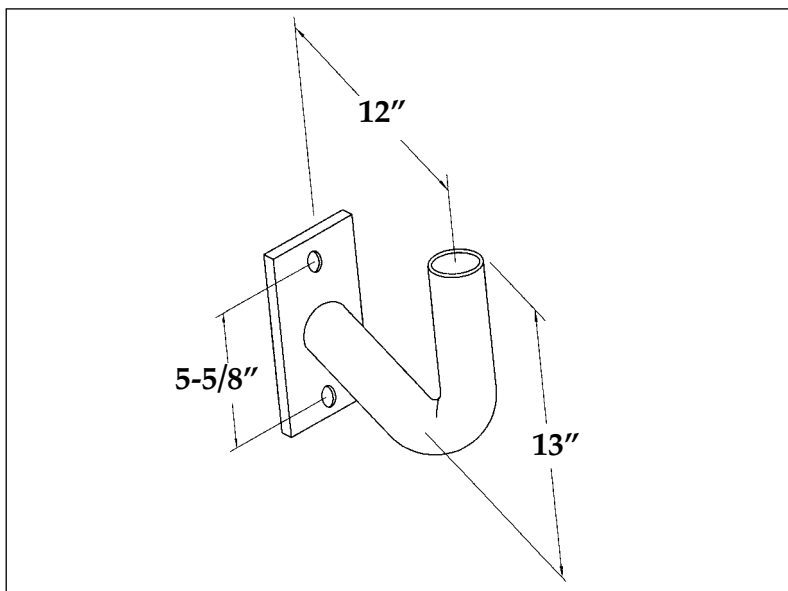
## SQUARE POLE MOUNTING

- Minimum 4" square pole
- 9/16" diameter mounting holes
- 3-3/4" x 7" mounting plate
- Mounting hardware not included
- Finish: Primer
- For hot dip galvanized, substitute "G" in place of "P"
- For dark bronze, substitute "DB" in place of "P"

### STEEL

| CATALOG NO. | PIPE SIZE | A      | WT/LBS |
|-------------|-----------|--------|--------|
| RABHX-P     | 2"        | 8-1/2" | 8      |
| RABHX-14-P  | 2"        | 14"    | 10     |

## RIGHT ANGLE BRACKET



## SQUARE POLE MOUNTING

- Minimum 4" square pole
- 9/16" diameter mounting holes
- 3-3/4" x 7" mounting plate
- Mounting hardware not included
- Finish: Primer
- For hot dip galvanized, substitute "G" in place of "P"
- For dark bronze, substitute "DB" in place of "P"

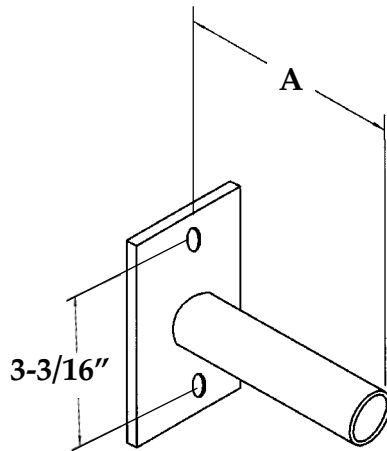
### STEEL

| CATALOG NO. | PIPE SIZE | WT/LBS |
|-------------|-----------|--------|
| ◆ RABX-P    | 2"        | 7      |

◆ indicates stock item (in limited quantity)

## SIDE TENON BRACKET

## SQUARE POLE MOUNTING

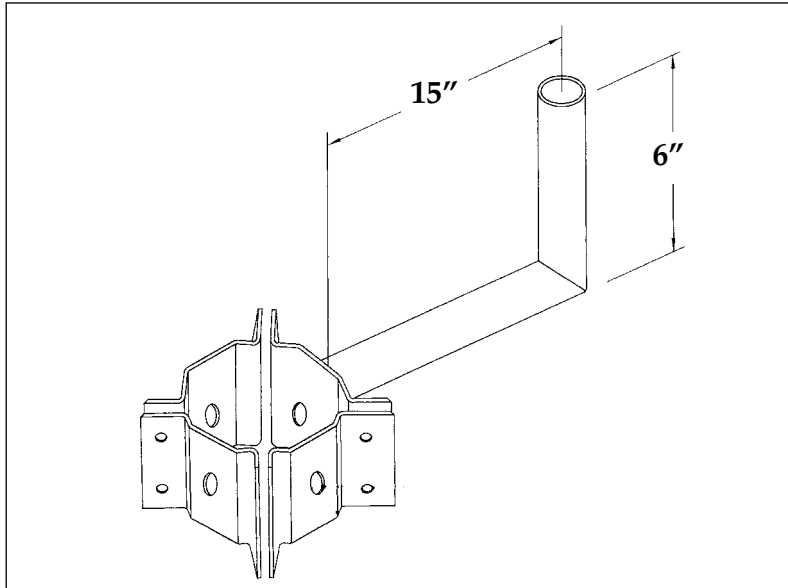


- Minimum 4" square pole
- 9/16" diameter mounting holes
- 4" x 5-1/4" mounting plate
- Mounting hardware not included
- Finish: Primer
- For hot dip galvanized, substitute "G" in place of "P"
- For dark bronze, substitute "DB" in place of "P"

### STEEL

| CATALOG NO. | PIPE SIZE | PIPE LENGTH A | WT/LBS |
|-------------|-----------|---------------|--------|
| ST-1-6P     | 1-1/4"    | 6-1/2"        | 4      |
| ST-1-8P     | 1-1/4"    | 8"            | 4      |
| ST-2-6P     | 2"        | 6-1/2"        | 4      |
| ST-2-8P     | 2"        | 8"            | 4      |

## WRAP AROUND BRACKET – ONE ARM



### STEEL

#### CATALOG NO.

- ◆ W1-P-7-10
- ◆ W1-P-10-13

#### POLE DIA.

- 7"-10"
- 10"-13"

#### WT/LBS

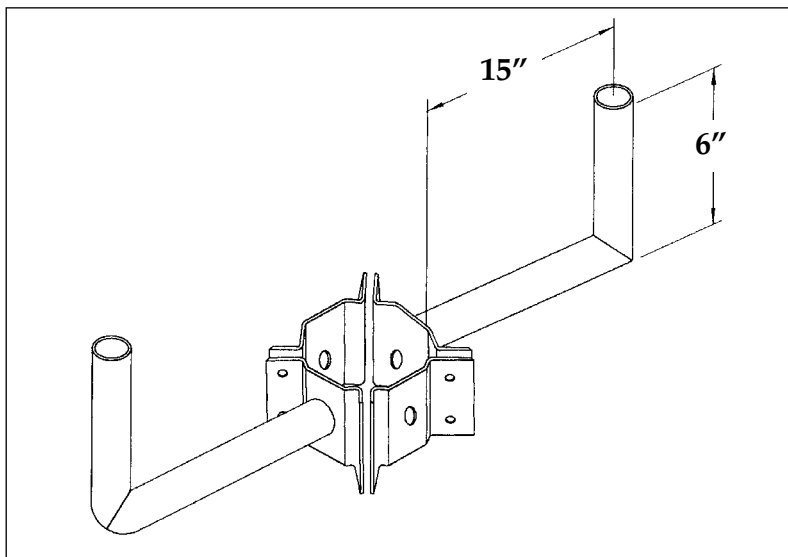
- 21
- 21

## CONCRETE & STEEL POLE MOUNTING

### FOR ROUND POLES

- All brackets shipped complete with hardware
- Finish: Primer
- For hot dip galvanized, substitute "G" in place of "P"

## WRAP AROUND BRACKET – TWO ARM



### STEEL

#### CATALOG NO.

- ◆ W2-P-7-10
- ◆ W2-P-10-13
- ◆ indicates stock item (in limited quantity)

#### POLE DIA.

- 7"-10"
- 10"-13"

#### WT/LBS

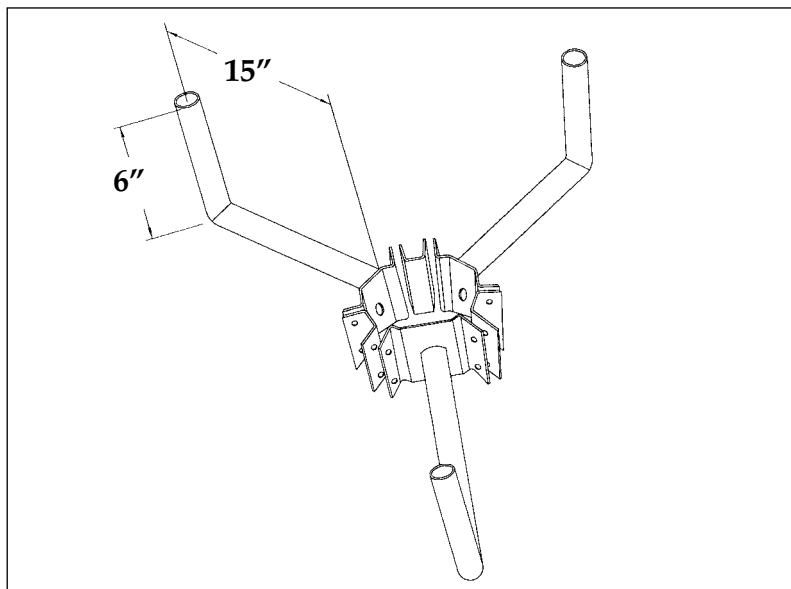
- 28
- 28

## CONCRETE & STEEL POLE MOUNTING

### FOR ROUND POLES

- All brackets shipped complete with hardware
- Finish: Primer
- For hot dip galvanized, substitute "G" in place of "P"

## WRAP AROUND BRACKET – THREE ARM



### STEEL

#### CATALOG NO.

◆ W3-P-7-10

◆ W3-P-10-13

#### POLE DIA.

7"-10"

10"-13"

#### WT/LBS

32

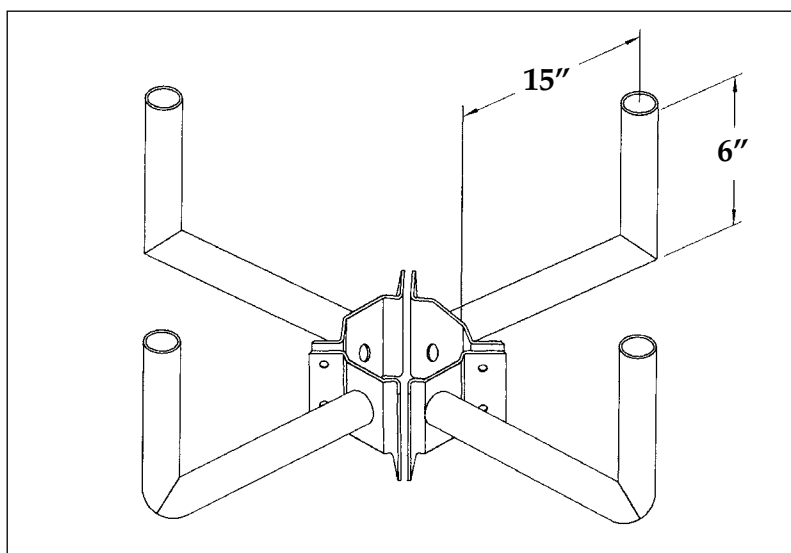
35

## CONCRETE & STEEL POLE MOUNTING

### FOR ROUND POLES

- All brackets shipped complete with hardware
- Finish: Primer
- For hot dip galvanized, substitute "G" in place of "P"

## WRAP AROUND BRACKET – FOUR ARM



### STEEL

#### CATALOG NO.

◆ W4-P-7-10

◆ W4-P-10-13

#### POLE DIA.

7"-10"

10"-13"

#### WT/LBS

43

43

## CONCRETE & STEEL POLE MOUNTING

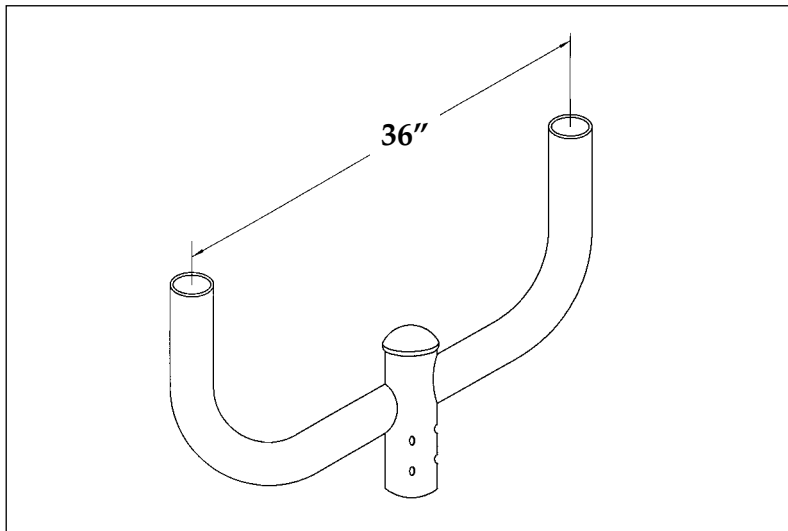
### FOR ROUND POLES

- All brackets shipped complete with hardware
- Finish: Primer
- For hot dip galvanized, substitute "G" in place of "P"

◆ indicates stock item (in limited quantity)

## BULL HORN BRACKET – TWO LIGHT

## POLE TOP MOUNTING



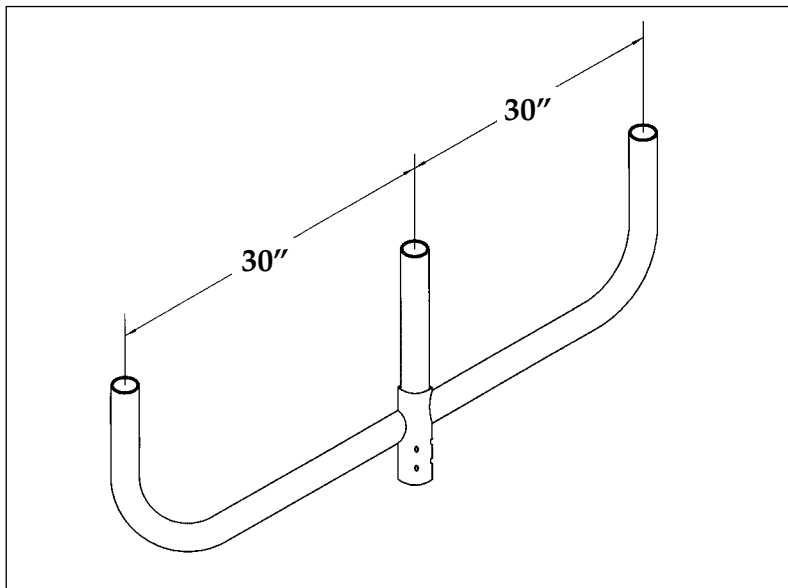
- Shipped with removable cap and mounting hardware assembled
- Finish: Primer
- For hot dip galvanized, substitute "G" in place of "P"
- For dark bronze, substitute "DB" in place of "P"

### STEEL

| CATALOG NO. | NUMBER TENONS | POLE TENON SIZE | WT/LBS |
|-------------|---------------|-----------------|--------|
| ◆ S2-S36-2P | 2 in line     | 2-3/8"          | 20     |
| ◆ S2-S36-3P | 2 in line     | 2-7/8"          | 22     |
| ◆ S2-S36-4P | 2 in line     | 4"              | 25     |

## BULL HORN BRACKET – THREE LIGHT

## POLE TOP MOUNTING



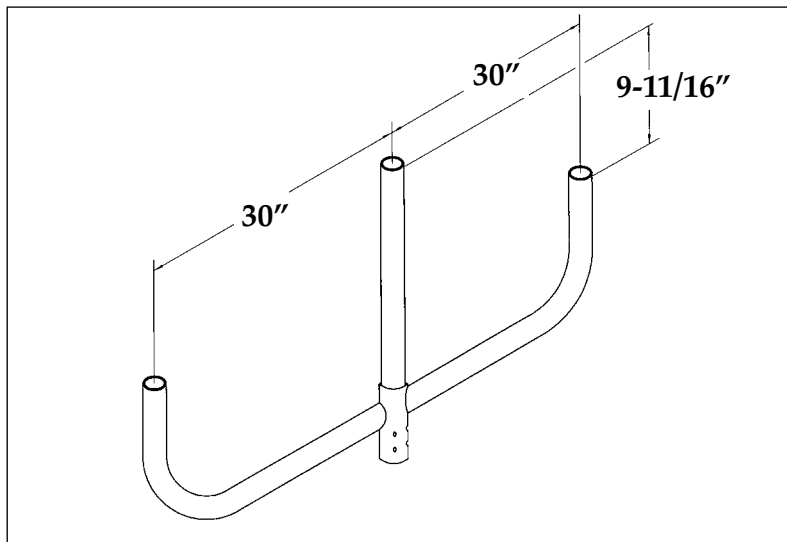
- Shipped with mounting hardware assembled
- Finish: Primer
- For hot dip galvanized, substitute "G" in place of "P"
- For dark bronze, substitute "DB" in place of "P"

### STEEL

| CATALOG NO.                                  | NUMBER TENONS | POLE TENON SIZE | WT/LBS |
|--|---------------|-----------------|--------|
| ◆ S3-S30-2P                                  | 3 in line     | 2-3/8"          | 31     |
| ◆ S3-S30-3P                                  | 3 in line     | 2-7/8"          | 33     |
| ◆ S3-S36-4P                                  | 3 in line     | 4"              | 37     |
| ◆ indicates stock item (in limited quantity) |               |                 |        |

## BULL HORN BRACKET – THREE LIGHT WITH EXTENDED CENTER TENON

## POLE TOP MOUNTING



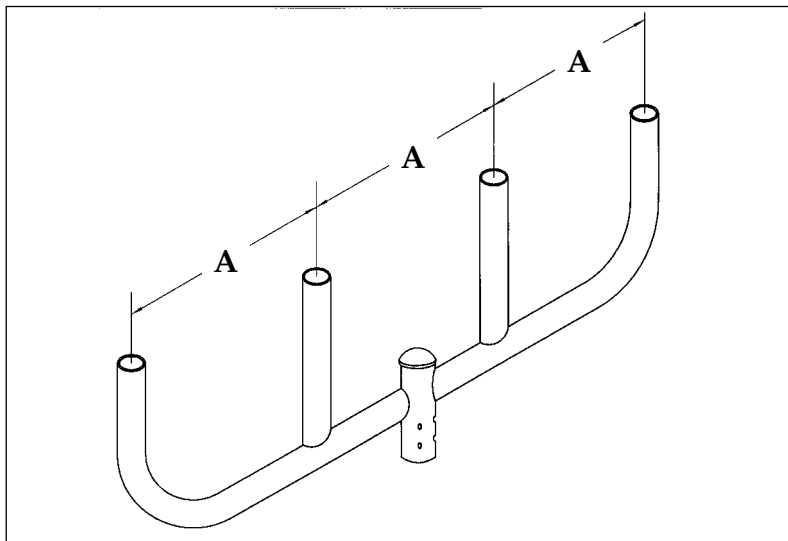
- Shipped with mounting hardware assembled
- Finish: Primer
- For hot dip galvanized, substitute "G" in place of "P"
- For dark bronze, substitute "DB" in place of "P"

### STEEL

| CATALOG NO. | NUMBER TENONS | POLE TENON SIZE | WT/LBS |
|-------------|---------------|-----------------|--------|
| S3-S30-2PX  | 3 in line     | 2-3/8"          | 34     |
| S3-S30-3PX  | 3 in line     | 2-7/8"          | 36     |
| S3-S30-4PX  | 3 in line     | 4"              | 40     |

## BULL HORN BRACKET – FOUR LIGHT

## POLE TOP MOUNTING



- Shipped with removable cap and mounting hardware assembled
- Finish: Primer
- For hot dip galvanized, substitute "G" in place of "P"
- For dark bronze, substitute "DB" in place of "P"

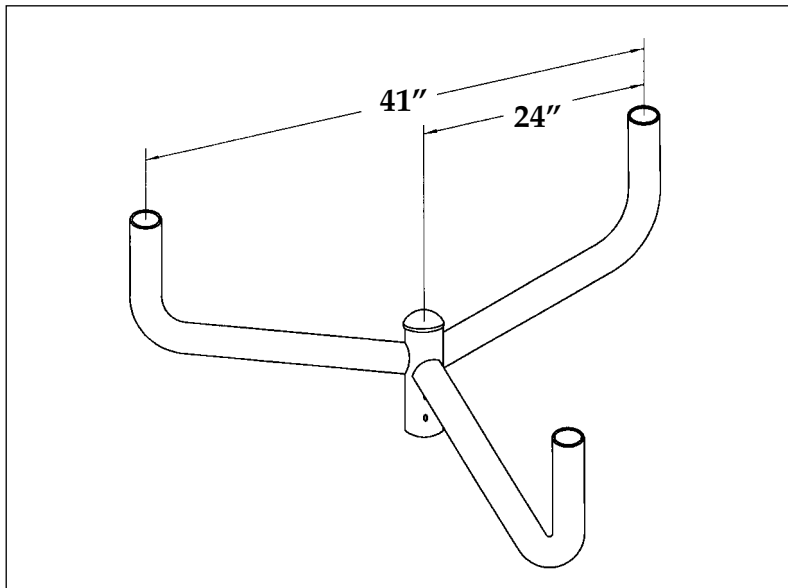
### STEEL

| CATALOG NO. | NUMBER TENONS | A   | POLE TENON SIZE | WT/LBS |
|-------------|---------------|-----|-----------------|--------|
| ◆ S4-S30-2P | 4 in line     | 30" | 2-3/8"          | 44     |
| S4-S30-3P   | 4 in line     | 30" | 2-7/8"          | 46     |
| S4-S36-4P   | 4 in line     | 36" | 4"              | 55     |

◆ indicates stock item (in limited quantity)

## BULL HORN BRACKET – THREE LIGHT

## POLE TOP MOUNTING



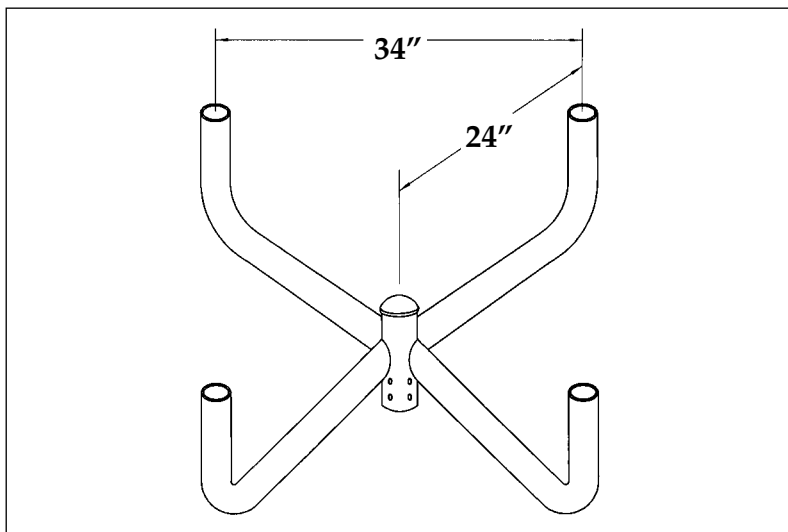
- Shipped with removable cap and mounting hardware assembled
- Finish: Primer
- For hot dip galvanized, substitute "G" in place of "P"
- For dark bronze, substitute "DB" in place of "P"

### STEEL

| CATALOG NO. | NUMBER TENONS | POLE TENON SIZE | WT/LBS |
|-------------|---------------|-----------------|--------|
| ◆ S3-A24-2P | 3 @ 120°      | 2-3/8"          | 33     |
| S3-A24-3P   | 3 @ 120°      | 2-7/8"          | 35     |
| S3-A24-4P   | 3 @ 120°      | 4"              | 39     |

## BULL HORN BRACKET – FOUR LIGHT

## POLE TOP MOUNTING



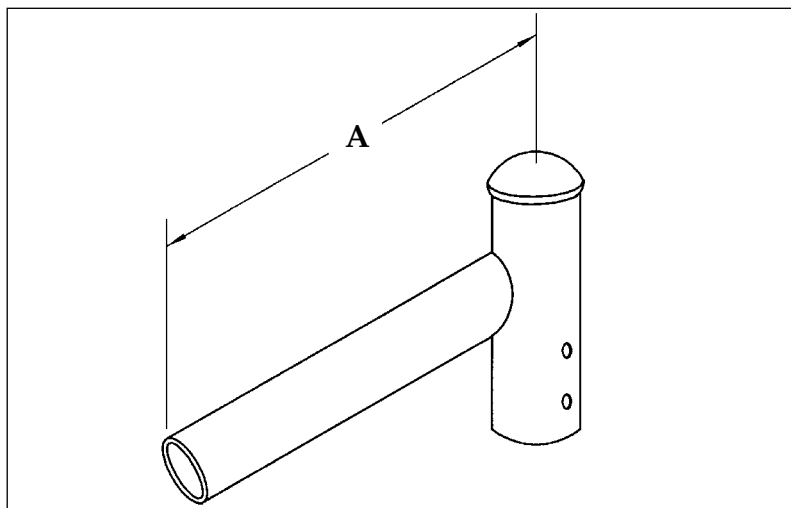
- Shipped with removable cap and mounting hardware assembled
- Finish: Primer
- For hot dip galvanized, substitute "G" in place of "P"
- For dark bronze, substitute "DB" in place of "P"

### STEEL

| CATALOG NO. | NUMBER TENONS | POLE TENON SIZE | WT/LBS |
|-------------|---------------|-----------------|--------|
| ◆ S4-A24-2P | 4 @ 90°       | 2-3/8"          | 43     |
| S4-A24-3P   | 4 @ 90°       | 2-7/8"          | 45     |
| S4-A24-4P   | 4 @ 90°       | 4"              | 47     |

◆ indicates stock item (in limited quantity)

## SPOKE BRACKET – ONE ARM



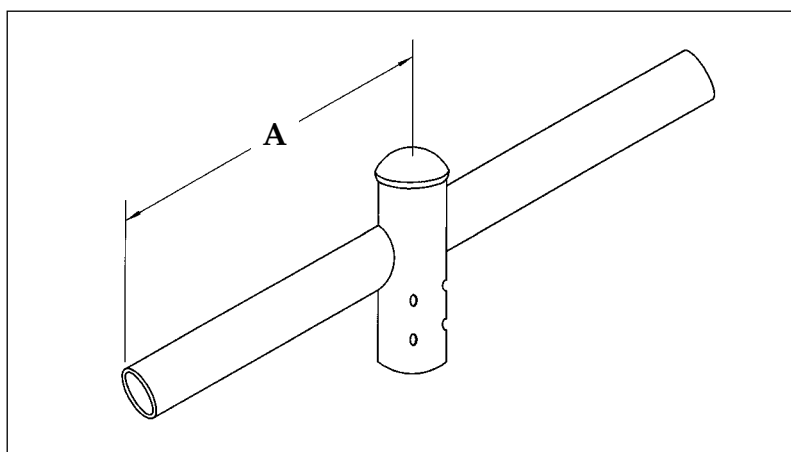
## POLE TOP MOUNTING

- Shipped with removable cap and mounting hardware assembled
- Catalog number shown to slipfit on 2-3/8" pole tenon
- Also available to slipfit 2-7/8" & 4" pole tenons
- Finish: Primer
- For hot dip galvanized, substitute "G" in place of "P"
- For dark bronze, substitute "DB" in place of "P"

### STEEL

| CATALOG NO.    | NUMBER TENONS | A   | WT/LBS |
|----------------|---------------|-----|--------|
| SB-100-08-2P   | 1             | 8"  | 6      |
| ◆ SB-100-12-2P | 1             | 12" | 7      |
| SB-100-15-2P   | 1             | 15" | 8      |
| ◆ SB-100-24-2P | 1             | 24" | 11     |
| SB-100-30-2P   | 1             | 30" | 13     |
| SB-100-36-2P   | 1             | 36" | 15     |

## SPOKE BRACKET – TWO ARM



## POLE TOP MOUNTING

- Shipped with removable cap and mounting hardware assembled
- Catalog number shown to slipfit on 2-3/8" pole tenon
- Also available to slipfit 2-7/8" & 4" pole tenons
- Finish: Primer
- For hot dip galvanized, substitute "G" in place of "P"
- For dark bronze, substitute "DB" in place of "P"

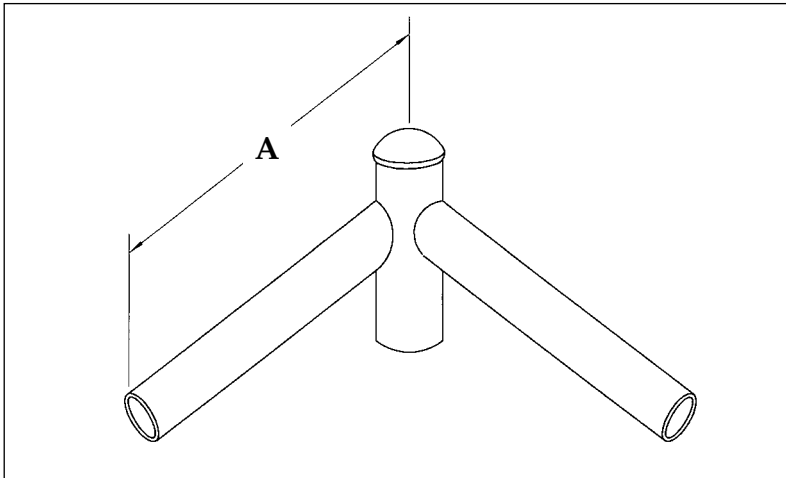
### STEEL

| CATALOG NO.    | NUMBER TENONS | A   | WT/LBS |
|----------------|---------------|-----|--------|
| SB-218-08-2P   | 2 @ 180°      | 8"  | 9      |
| SB-218-12-2P   | 2 @ 180°      | 12" | 11     |
| ◆ SB-218-15-2P | 2 @ 180°      | 15" | 13     |
| SB-218-24-2P   | 2 @ 180°      | 24" | 18     |
| SB-218-30-2P   | 2 @ 180°      | 30" | 22     |
| SB-218-36-2P   | 2 @ 180°      | 36" | 26     |

◆ indicates stock item (in limited quantity)

## SPOKE BRACKET - TWO ARM

## POLE TOP MOUNTING



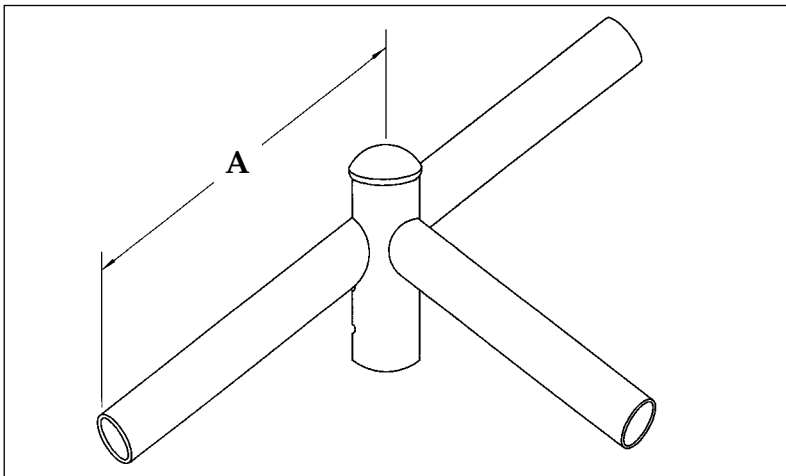
- Shipped with removable cap and mounting hardware assembled
- Catalog number shown to slipfit on 2-3/8" pole tenon
- Also available to slipfit 2-7/8" & 4" pole tenons
- Finish: Primer
- For hot dip galvanized, substitute "G" in place of "P"
- For dark bronze, substitute "DB" in place of "P"

### STEEL

| CATALOG NO.  | NUMBER TENONS | A   | WT/LBS |
|--------------|---------------|-----|--------|
| SB-290-08-2P | 2 @ 90°       | 8"  | 9      |
| SB-290-12-2P | 2 @ 90°       | 12" | 11     |
| SB-290-15-2P | 2 @ 90°       | 15" | 13     |
| SB-290-24-2P | 2 @ 90°       | 24" | 18     |
| SB-290-30-2P | 2 @ 90°       | 30" | 22     |
| SB-290-36-2P | 2 @ 90°       | 36" | 26     |

## SPOKE BRACKET - THREE ARM

## POLE TOP MOUNTING

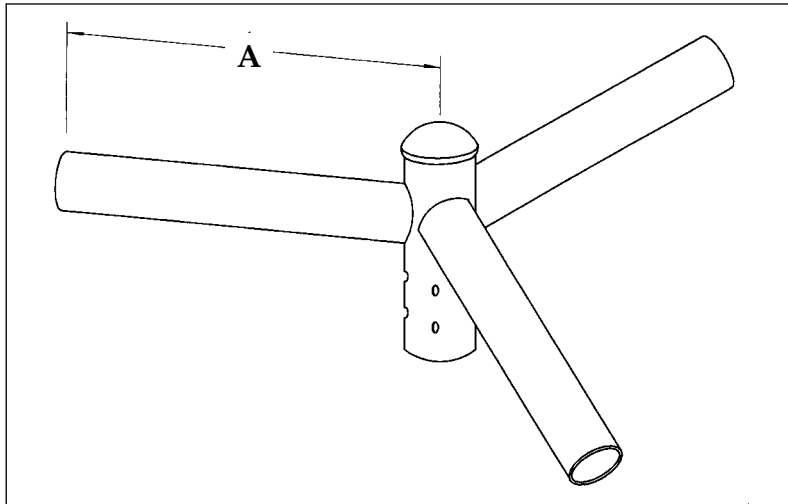


- Shipped with removable cap and mounting hardware assembled
- Catalog number shown to slipfit on 2-3/8" pole tenon
- Also available to slipfit 2-7/8" & 4" pole tenons
- Finish: Primer
- For hot dip galvanized, substitute "G" in place of "P"
- For dark bronze, substitute "DB" in place of "P"

### STEEL

| CATALOG NO.  | NUMBER TENONS | A   | WT/LBS |
|--------------|---------------|-----|--------|
| SB-390-08-2P | 3 @ 90°       | 8"  | 11     |
| SB-390-12-2P | 3 @ 90°       | 12" | 15     |
| SB-390-15-2P | 3 @ 90°       | 15" | 17     |
| SB-390-24-2P | 3 @ 90°       | 24" | 25     |
| SB-390-30-2P | 3 @ 90°       | 30" | 30     |
| SB-390-36-2P | 3 @ 90°       | 36" | 36     |

## SPOKE BRACKET - THREE ARM



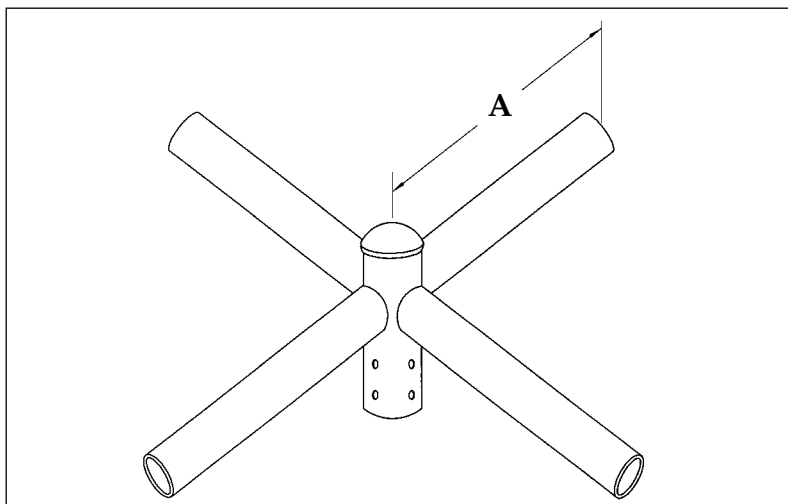
## POLE TOP MOUNTING

- Shipped with removable cap and mounting hardware assembled
- Catalog number shown to slipfit on 2-3/8" pole tenon
- Also available to slipfit 2-7/8" & 4" pole tenons
- Finish: Primer
- For hot dip galvanized, substitute "G" in place of "P"
- For dark bronze, substitute "DB" in place of "P"

### STEEL

| CATALOG NO.  | NUMBER TENONS | A   | WT/LBS |
|--------------|---------------|-----|--------|
| SB-312-08-2P | 3 @ 120°      | 8"  | 11     |
| SB-312-12-2P | 3 @ 120°      | 12" | 15     |
| SB-312-15-2P | 3 @ 120°      | 15" | 17     |
| SB-312-24-2P | 3 @ 120°      | 24" | 25     |
| SB-312-30-2P | 3 @ 120°      | 30" | 30     |
| SB-312-36-2P | 3 @ 120°      | 36" | 36     |

## SPOKE BRACKET - FOUR ARM



## POLE TOP MOUNTING

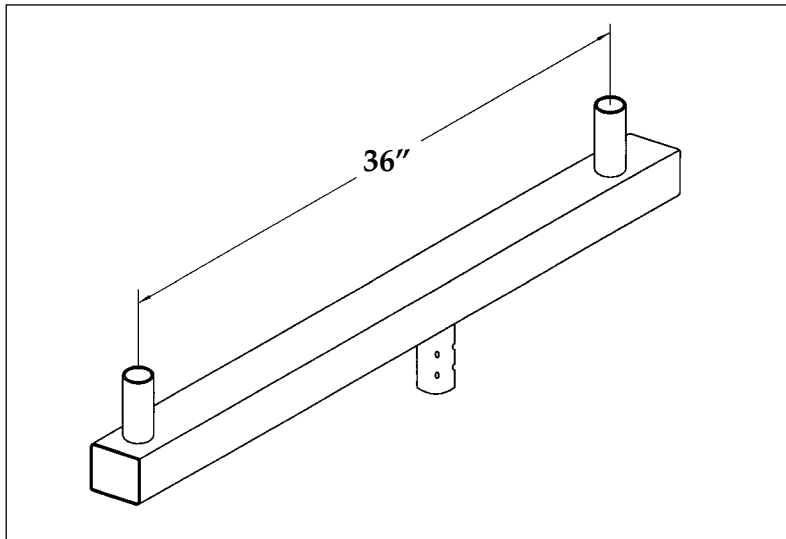
- Shipped with removable cap and mounting hardware assembled
- Catalog number shown to slipfit on 2-3/8" pole tenon
- Also available to slipfit 2-7/8" & 4" pole tenons
- Finish: Primer
- For hot dip galvanized, substitute "G" in place of "P"
- For dark bronze, substitute "DB" in place of "P"

### STEEL

| CATALOG NO.  | NUMBER TENONS | A   | WT/LBS |
|--------------|---------------|-----|--------|
| SB-490-08-2P | 4 @ 90°       | 8"  | 13     |
| SB-490-12-2P | 4 @ 90°       | 12" | 17     |
| SB-490-15-2P | 4 @ 90°       | 15" | 21     |
| SB-490-24-2P | 4 @ 90°       | 24" | 32     |
| SB-490-30-2P | 4 @ 90°       | 30" | 39     |
| SB-490-36-2P | 4 @ 90°       | 36" | 47     |

## ROUND SQUARE ROUND BRACKET - TWO LIGHT

## POLE TOP MOUNTING



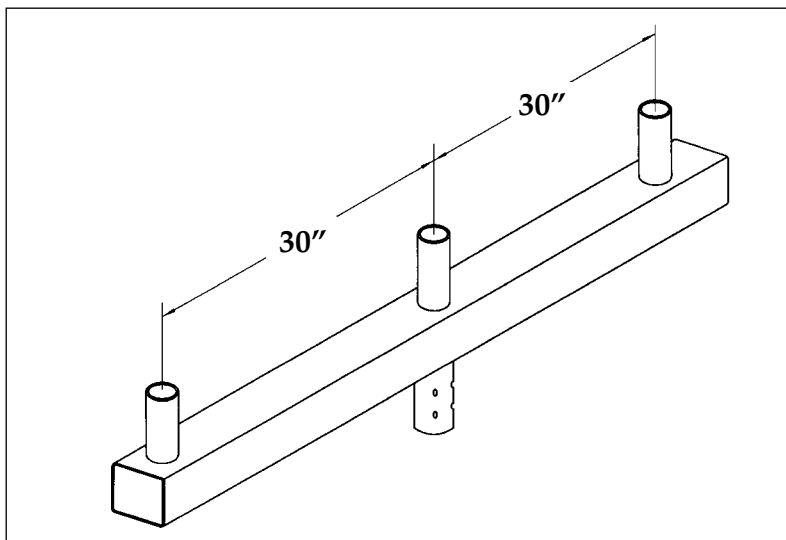
- Shipped with mounting hardware assembled
- Finish: Primer
- For hot dip galvanized, substitute "G" in place of "P"
- For dark bronze, substitute "DB" in place of "P"

### STEEL

| CATALOG NO. | NUMBER TENONS | POLE TENON SIZE | WT/LBS |
|-------------|---------------|-----------------|--------|
| ◆ RSR-B2-2P | 2 in line     | 2-3/8"          | 20     |
| RSR-B2-3P   | 2 in line     | 2-7/8"          | 23     |
| RSR-B2-4P   | 2 in line     | 4"              | 26     |

## ROUND SQUARE ROUND BRACKET - THREE LIGHT

## POLE TOP MOUNTING



- Shipped with mounting hardware assembled
- Finish: Primer
- For hot dip galvanized, substitute "G" in place of "P"
- For dark bronze, substitute "DB" in place of "P"

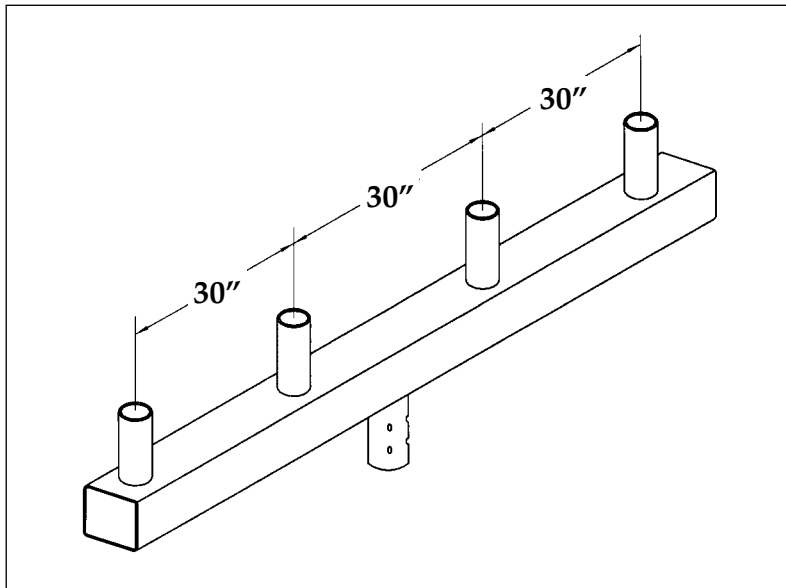
### STEEL

| CATALOG NO. | NUMBER TENONS | POLE TENON SIZE | WT/LBS |
|-------------|---------------|-----------------|--------|
| ◆ RSR-B3-2P | 3 in line     | 2-3/8"          | 31     |
| RSR-B3-3P   | 3 in line     | 2-7/8"          | 33     |
| RSR-B3-4P   | 3 in line     | 4"              | 37     |

◆ indicates stock item (in limited quantity)

## ROUND SQUARE ROUND BRACKET - FOUR LIGHT

## POLE TOP MOUNTING



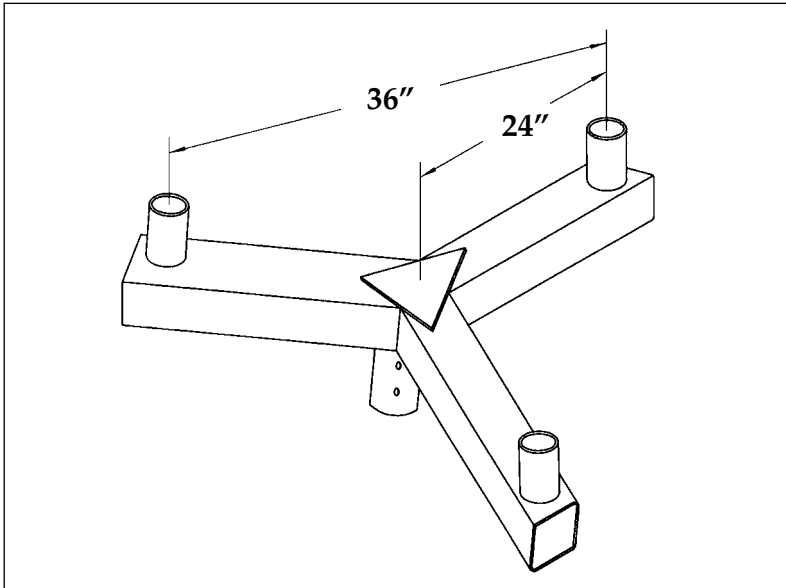
- Shipped with mounting hardware assembled
- Finish: Primer
- For hot dip galvanized, substitute "G" in place of "P"
- For dark bronze, substitute "DB" in place of "P"

### STEEL

| CATALOG NO. | NUMBER TENONS | POLE TENON SIZE | WT/LBS |
|-------------|---------------|-----------------|--------|
| RSR-B4-2P   | 4 in line     | 2-3/8"          | 44     |
| RSR-B4-3P   | 4 in line     | 2-7/8"          | 46     |
| RSR-B4-4P   | 4 in line     | 4"              | 50     |

## ROUND SQUARE ROUND BRACKET - THREE LIGHT

## POLE TOP MOUNTING



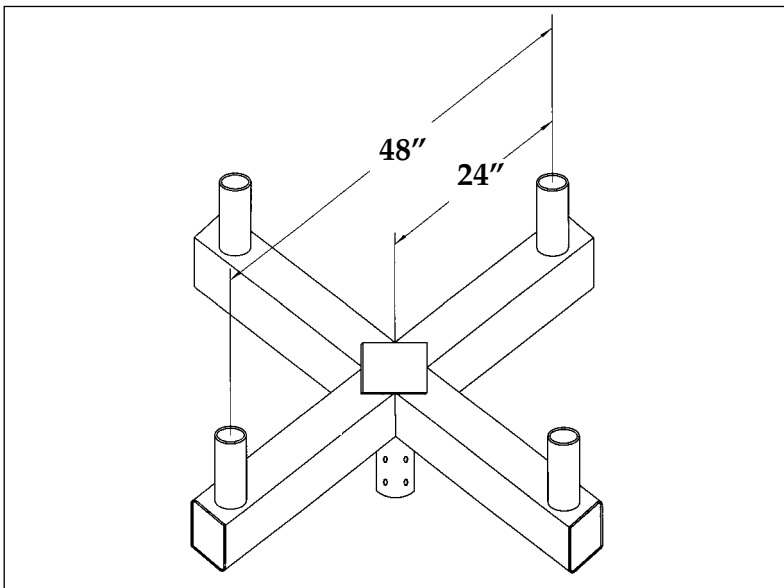
- Shipped with mounting hardware assembled
- Finish: Primer
- For hot dip galvanized, substitute "G" in place of "P"
- For dark bronze, substitute "DB" in place of "P"

### STEEL

| CATALOG NO. | NUMBER TENONS | POLE TENON SIZE | WT/LBS |
|-------------|---------------|-----------------|--------|
| RSR-T3-2P   | 3 @ 120°      | 2-3/8"          | 39     |
| RSR-T3-3P   | 3 @ 120°      | 2-7/8"          | 42     |
| RSR-T3-4P   | 3 @ 120°      | 4"              | 46     |

## ROUND SQUARE ROUND BRACKET - FOUR LIGHT

## POLE TOP MOUNTING



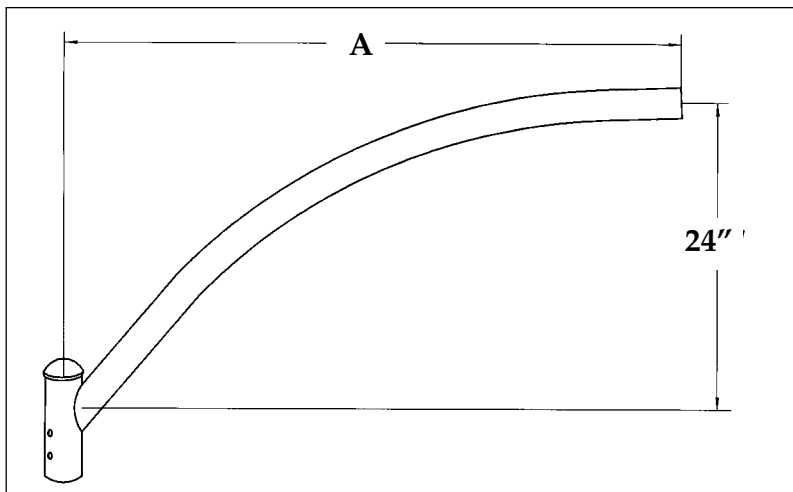
- Shipped with mounting hardware assembled
- Finish: Primer
- For hot dip galvanized, substitute "G" in place of "P"
- For dark bronze, substitute "DB" in place of "P"

### STEEL

| CATALOG NO. | NUMBER TENONS | POLE TENON SIZE | WT/LBS |
|-------------|---------------|-----------------|--------|
| RSR-T4-2P   | 4 @ 90°       | 2-3/8"          | 48     |
| RSR-T4-3P   | 4 @ 90°       | 2-7/8"          | 51     |
| RSR-T4-4P   | 4 @ 90°       | 4"              | 55     |

## UPSWEEP BRACKET - ONE LIGHT

## POLE TOP MOUNTING



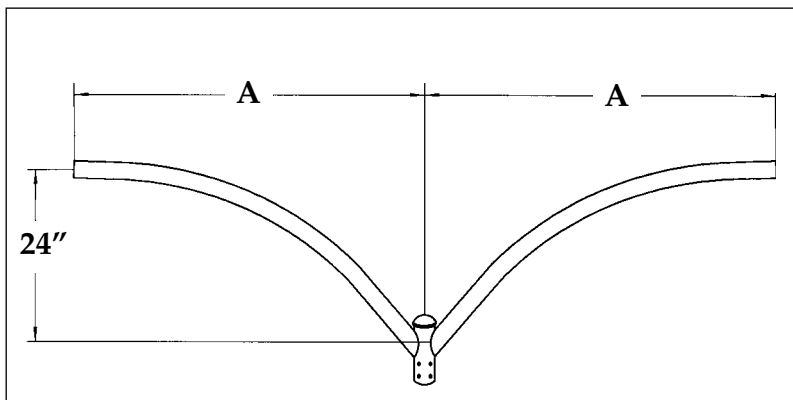
- Shipped with removable cap and mounting hardware assembled
- Finish: Primer
- For hot dip galvanized, substitute "G" in place of "P"
- For dark bronze, substitute "DB" in place of "P"

### STEEL

| CATALOG NO. | NUMBER ARMS | A   | POLE TENON SIZE | WT/LBS |
|-------------|-------------|-----|-----------------|--------|
| UB1-4-2P    | 1           | 48" | 2-3/8"          | 21     |
| UB1-4-3P    | 1           | 48" | 2-7/8"          | 23     |
| UB1-4-4P    | 1           | 48" | 4"              | 27     |
| ◆ UB1-6-2P  | 1           | 72" | 2-3/8"          | 28     |
| UB1-6-3P    | 1           | 72" | 2-7/8"          | 30     |
| UB1-6-4P    | 1           | 72" | 4"              | 34     |

## UPSWEEP BRACKET - TWO LIGHT

## POLE TOP MOUNTING



- Shipped with removable cap and mounting hardware assembled
- Finish: Primer
- For hot dip galvanized, substitute "G" in place of "P"
- For dark bronze, substitute "DB" in place of "P"

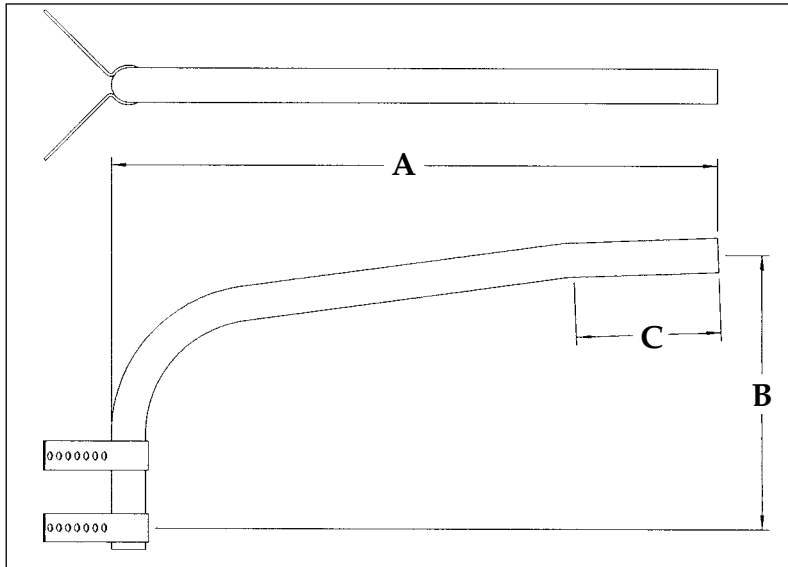
### STEEL

| CATALOG NO. | NUMBER ARMS | A   | POLE TENON SIZE | WT/LBS |
|-------------|-------------|-----|-----------------|--------|
| UB2-4-2P    | 2 @ 180°    | 48" | 2-3/8"          | 38     |
| UB2-4-3P    | 2 @ 180°    | 48" | 2-7/8"          | 40     |
| UB2-4-4P    | 2 @ 180°    | 48" | 4"              | 44     |
| ◆ UB2-6-2P  | 2 @ 180°    | 72" | 2-3/8"          | 52     |
| UB2-6-3P    | 2 @ 180°    | 72" | 2-7/8"          | 54     |
| UB2-6-4P    | 2 @ 180°    | 72" | 4"              | 58     |

◆ indicates stock item (in limited quantity)

## "E" SERIES - CANTILEVER STYLE BRACKET

## CORNER MOUNTING



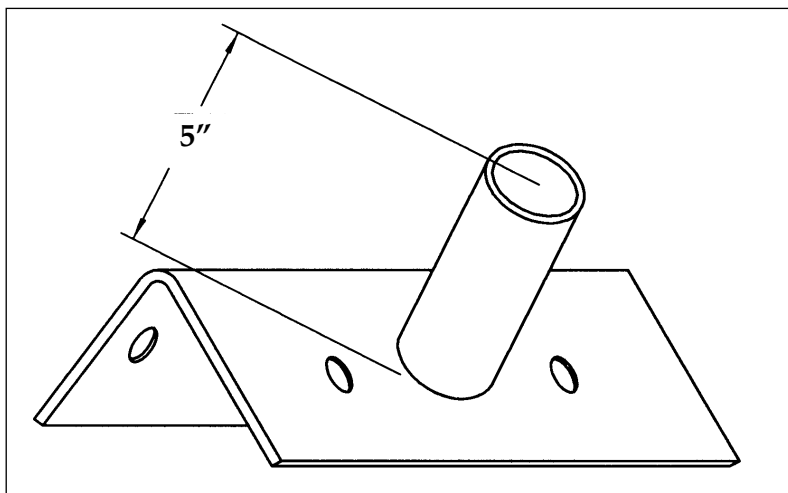
- Mounting hardware not included
- Finish: Hot dip galvanized

### STEEL

| CATALOG NO. | PIPE SIZE | NOM. LGTH. | A   | B   | C   | WT/LBS |
|-------------|-----------|------------|-----|-----|-----|--------|
| E125S026K   | 1-1/4"    | 2'-6"      | 30" | 15" | 10" | 10     |
| E125S040K   | 1-1/4"    | 4'         | 42" | 19" | 10" | 12     |
| E125S060K   | 1-1/4"    | 6'         | 66" | 24" | 12" | 16     |
| E200S026K   | 2"        | 2'-6"      | 30" | 15" | 10" | 16     |
| E200S040K   | 2"        | 4'         | 42" | 19" | 10" | 19     |
| E200S060K   | 2"        | 6'         | 66" | 24" | 12" | 26     |
| E200S080K   | 2"        | 8'         | 90" | 30" | 15" | 31     |

## PARAPET BRACKET

## CORNER MOUNTING



- Mounting hardware not included
- Finish: Primer
- For hot dip galvanized, substitute "G" in place of "P"

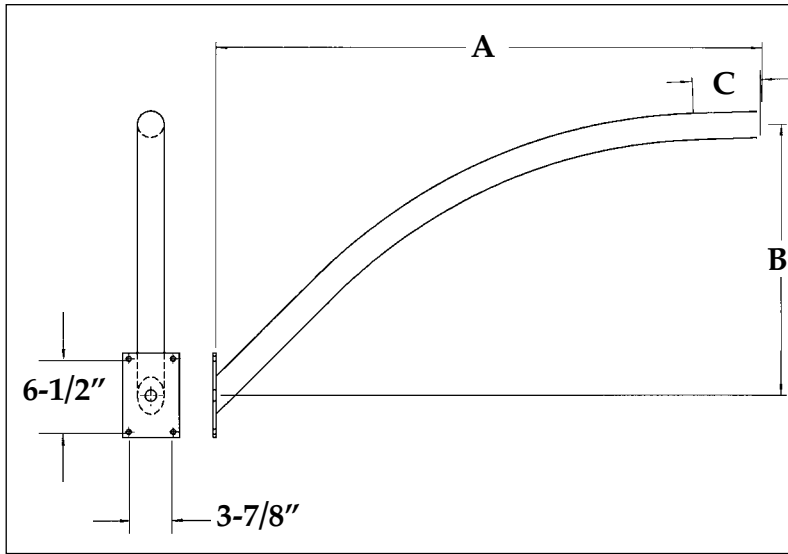
### STEEL

| CATALOG NO. | PIPE SIZE | WT/LBS |
|-------------|-----------|--------|
| ◆ PC-2P     | 2"        | 8      |

◆ indicates stock item (in limited quantity)

## "J" SERIES - CONTINUOUS UPSWEEP STYLE BRACKET

## WALL MOUNTING



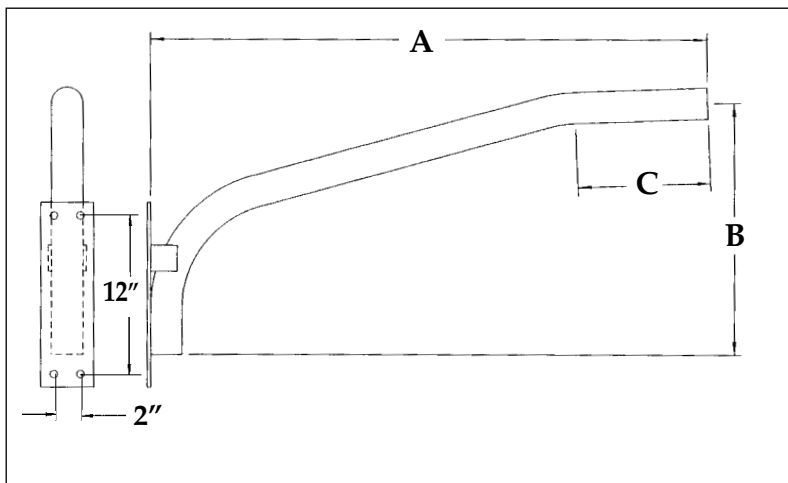
- Mounting hardware not included
- Finish: Hot dip galvanized

### STEEL

| CATALOG NO. | PIPE SIZE | NOM. LGTH. | A   | B   | C   | WT/LBS |
|-------------|-----------|------------|-----|-----|-----|--------|
| J200S040F   | 2"        | 4'         | 48" | 24" | 6"  | 20     |
| J200S060F   | 2"        | 6'         | 72" | 30" | 12" | 28     |
| ◆ J200S080F | 2"        | 8'         | 90" | 25" | 27" | 34     |

## "E" SERIES - CANTILEVER STYLE BRACKET

## WALL MOUNTING



- Mounting hardware not included
- Finish: Hot dip galvanized

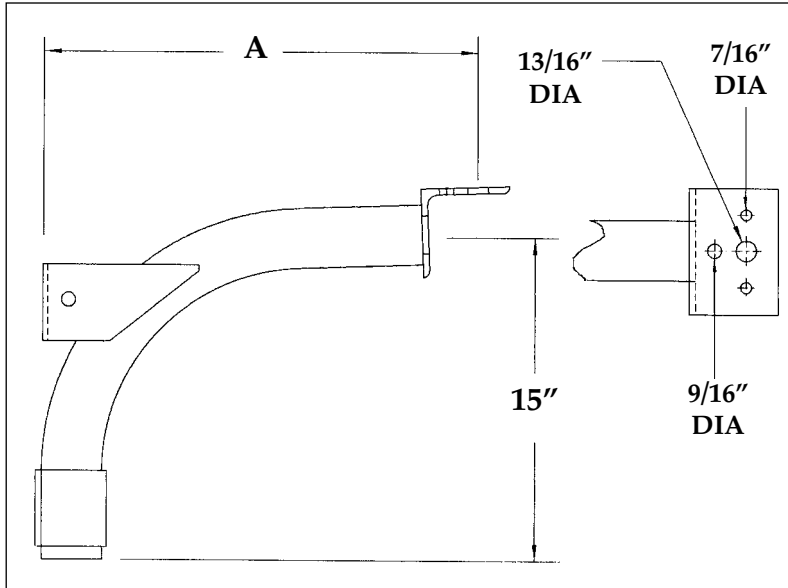
### STEEL

| CATALOG NO. | PIPE SIZE | NOM. LGTH. | A   | B   | C   | WT/LBS |
|-------------|-----------|------------|-----|-----|-----|--------|
| E125S026F   | 1-1/4"    | 2'-6"      | 30" | 15" | 10" | 11     |
| E125S040F   | 1-1/4"    | 4'         | 42" | 19" | 10" | 13     |
| E125S060F   | 1-1/4"    | 6'         | 66" | 24" | 12" | 18     |
| E200S026F   | 2"        | 2'-6"      | 30" | 15" | 10" | 17     |
| E200S040F   | 2"        | 4'         | 42" | 19" | 10" | 22     |
| E200S060F   | 2"        | 6'         | 66" | 24" | 12" | 30     |
| E200S080F   | 2"        | 8'         | 90" | 30" | 15" | 38     |

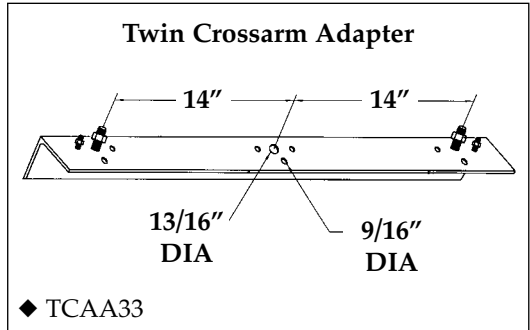
◆ indicates stock item (in limited quantity)

# "P" SERIES - CROSS ARM BRACKET

# WALL MOUNTING



- Fixture mounting hardware included
- Finish: hot dip galvanized
- For primer, substitute "P" in place of "S"

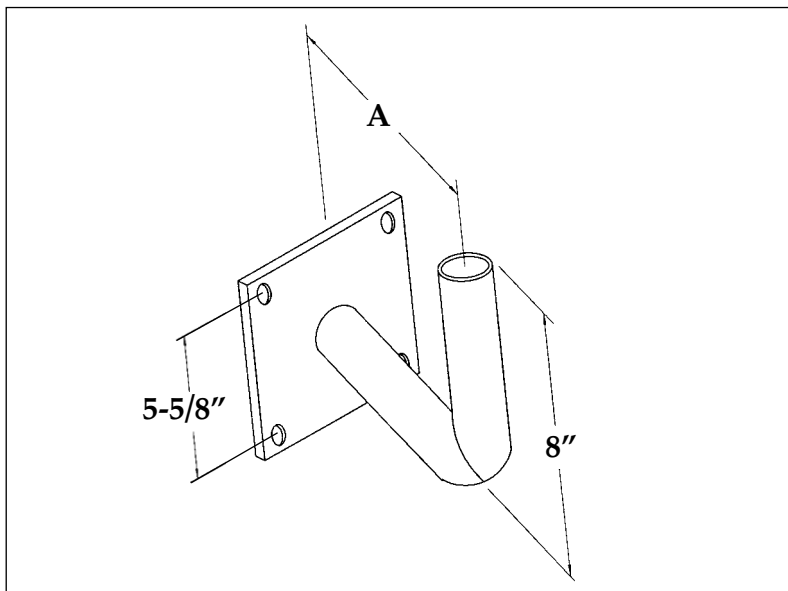


## STEEL

| CATALOG NO.  | PIPE SIZE | NOM. LGTH. | A   | WT/LBS |
|--------------|-----------|------------|-----|--------|
| ◆ P200S016CW | 2"        | 1'-6"      | 18" | 13     |
| P200S040CW   | 2"        | 4'         | 48" | 20     |

# HEAVY RIGHT ANGLE BRACKET

# WALL MOUNTING



- Mounting hardware not included
- 9/16" diameter mounting holes
- 7" square mounting plate
- Finish: Primer
- For hot dip galvanized, substitute "G" in place of "P"
- For dark bronze, substitute "DB" in place of "P"

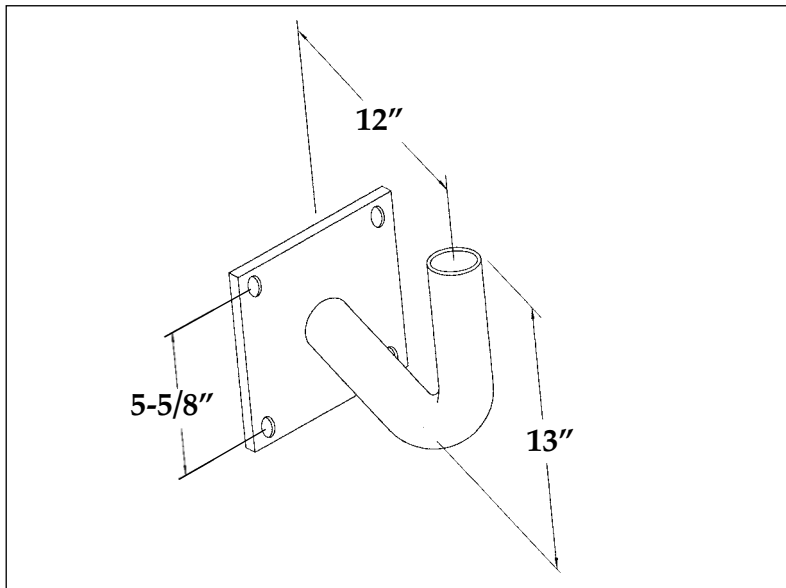
## STEEL

| CATALOG NO. | PIPE SIZE | A      | WT/LBS |
|-------------|-----------|--------|--------|
| ◆ RABH-P    | 2"        | 8-1/2" | 11     |
| ◆ RABH14-P  | 2"        | 14"    | 12     |

◆ indicates stock item (in limited quantity)

## RIGHT ANGLE BRACKET

## WALL MOUNTING



- Mounting hardware not included
- 9/16" diameter mounting holes
- 7" square mounting plate
- Finish: Primer
- For hot dip galvanized, substitute "G" in place of "P"
- For dark bronze, substitute "DB" in place of "P"

### STEEL

CATALOG NO.

◆ RAB-P

PIPE SIZE

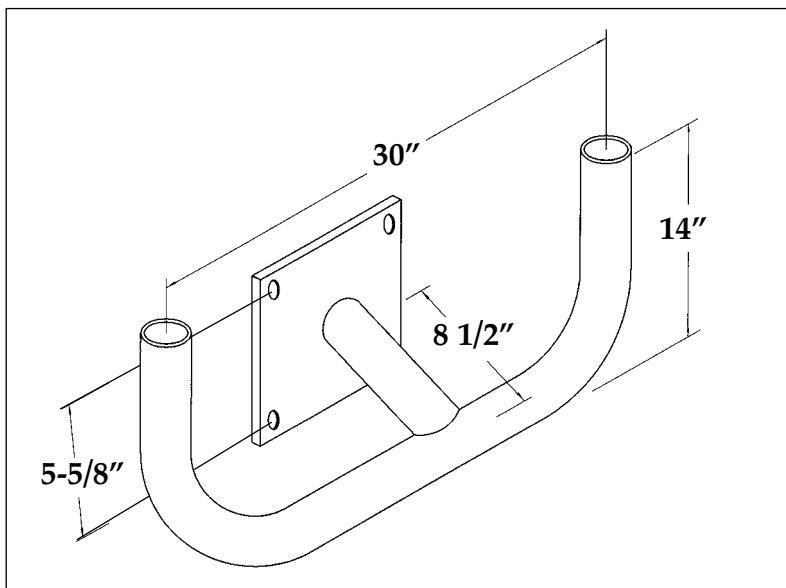
2"

WT/LBS

9

## DOUBLE RIGHT ANGLE BRACKET

## WALL MOUNTING



- Mounting hardware not included
- 9/16" diameter mounting holes
- 7" square mounting plate
- Finish: Primer
- For hot dip galvanized, substitute "G" in place of "P"
- For dark bronze, substitute "DB" in place of "P"

### STEEL

CATALOG NO.

◆ DRAB-P

◆ indicates stock item (in limited quantity)

PIPE SIZE

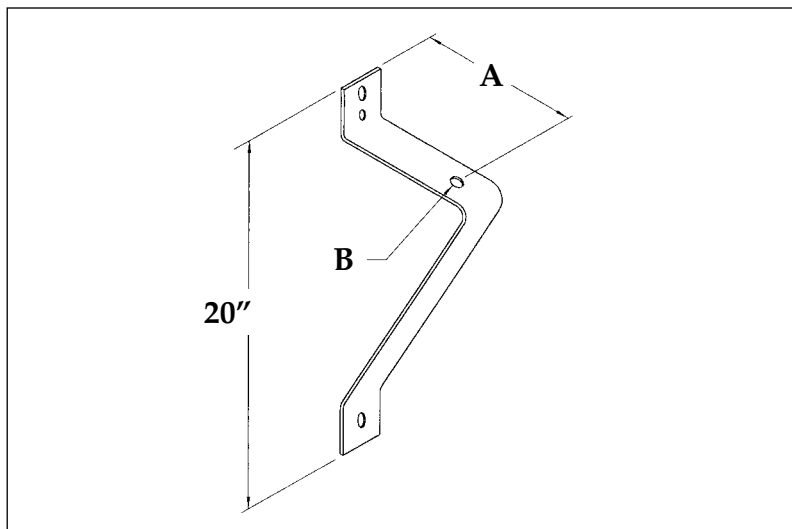
2"

WT/LBS

23

## SIDE ANGLE BRACKET

## WALL MOUNTING



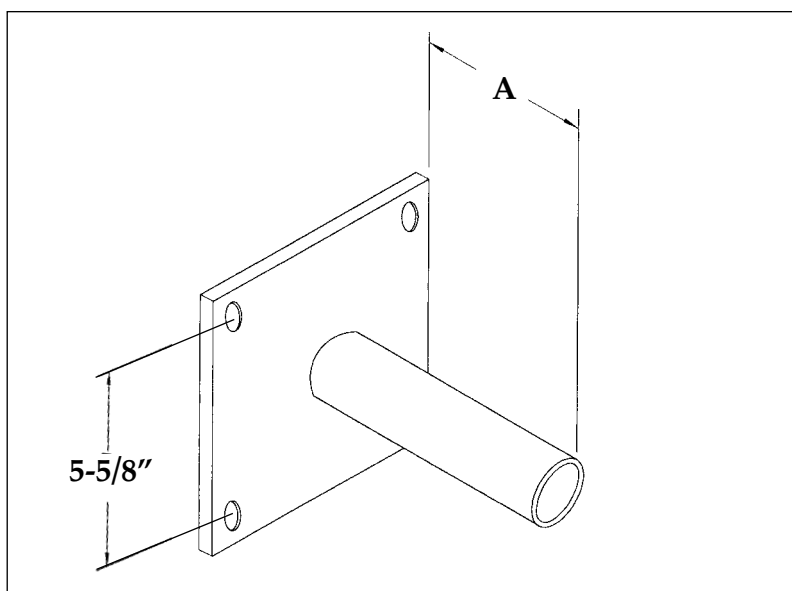
- Mounting hardware not included
- Finish: hot dip galvanized
- For primer, substitute "P" in place of "G"
- For dark bronze, substitute "DB" in place of "P"

### STEEL

| CATALOG NO. | A       | B "DIA." | WT/LBS |
|-------------|---------|----------|--------|
| ◆ SAB-G     | 12-1/2" | 11/16"   | 9      |
| ◆ XSAB-G    | 15-1/2" | 7/8"     | 10     |

## VERTICAL TENON BRACKET

## WALL MOUNTING



- Mounting hardware not included
- 9/16" diameter mounting holes
- 7" square mounting plate
- Finish: Primer
- For hot dip galvanized, substitute "G" in place of "P"
- For dark bronze, substitute "DB" in place of "P"

### STEEL

| CATALOG NO. | PIPE SIZE | A  | WT/LBS |
|-------------|-----------|----|--------|
| VT2-4P      | 2"        | 4" | 7      |
| ◆ VT2-6P    | 2"        | 6" | 8      |

◆ indicates stock item (in limited quantity)

## OUR MISSION...

*Utility Metals, an established company since 1955, manufactures and fabricates products primarily for the outdoor lighting market.*

*Utility Metals is committed to operating profitably based on fair and competitively priced products.*

*Utility Metals is dedicated to excellence in the industry, by being more efficient than our competition, and by providing the highest quality products through the assurance of a documented quality program.*

*Utility Metals is dedicated to customer satisfaction: fulfilling the needs of the*

*customer on a timely basis and building relationships through value added service.*

*Utility Metals is a responsible community partner and encourages employee involvement.*

*Utility Metals is committed to providing an environment for its employees that includes*

*respect, training, development, and fulfillment, in order to achieve job satisfaction and a high level of productivity.*

*Utility Metals is committed to being a leader in the outdoor lighting market, and to the exploration of new markets for growth opportunities.*

## UTILITY METALS AT A GLANCE...



- Manufacturer of outdoor lighting products since 1955
- Steel and aluminum mast arms, brackets, and pole accessories
- Square, round, and round tapered steel area lighting poles
- Powder coat, hot dip galvanized, acrylic paint, and primer finishes
- Custom fabrication
- Substantial inventory maintained for immediate shipment
- Customers include OEMs, utilities, distributors, and contractors
- Distributors for Akron Foundry transformer bases

## QUALITY ASSURANCE...

Utility Metals' success through time has demonstrated a strong customer commitment.

We have taken that commitment a step further by providing our customers with the

assurance of a documented quality program; created along the guidelines of ISO 9001.

We are driven to exceed our customers' needs through

exceptional service and on-time deliveries. A continuous effort is made to seek innovative ways of providing the highest quality products in the most cost effective manner.



## MEMBERS...

*As a further commitment to and our support for the lighting and electrical industry, Utility Metals is proud to be a member of the following associations:*



# TERMS AND CONDITIONS

## WARRANTY

Utility Metals warrants all goods of our manufacture to be free from defects in material and workmanship under normal use and service. Any goods found to be defective, upon examination by us, within 12 months from date of shipment, shall be repaired or replaced by us without charge, FOB factory within the continental United States. All export taxes, fees and duties occurring from warranty shipments beyond the continental United States will be the customer's responsibility.

This warranty shall be null and void and of no effect unless we are notified of such defect, all within 12 months from date of shipment. Such notification shall be directed to the office of Utility Metals. No goods shall be returned without prior written approval.

Explicitly excluded from this warranty are: special finishes and labor required to remove and/or reinstall original or replacement parts.

This warranty does not cover damage caused by improper installation, overloading, accident, improper storage, or neglect, alterations, modifications, or additions.

Utility Metals warrants the items purchased from other manufacturers only to the extent of the normal warranty of these manufacturers.

The above warranties are given in lieu of all other warranties express or implied, including without limitation, the warranty of merchantability and the warranty of suitability for a particular purpose. It is expressly agreed that Utility Metals assumes no liability for liquidated damages arising out of a breach of contract, including any warranties arising therefrom, and buyer's remedy shall be limited to repair or replacement of defective parts as described above.

## QUOTATIONS

Prices quoted are subject to receipt and acceptance of order within 30 days of the date of the quotation unless otherwise noted on quote.

## TAXES

Utility Metals reserves the right to add sales tax, or any other tax, which may be imposed on our products, as required by law. All shipments into the State of Kentucky will carry the current state sales tax unless a resale certificate for the State of Kentucky is on file at Utility Metals.

## TERMS OF PAYMENT

Payment terms are net 30 days to established customers. New customers must furnish credit references before credit can be issued. A credit line will be based on credit reference information received by Utility Metals.

## CANCELLATIONS

Written consent from Utility Metals must be obtained prior to the cancellation of any order. Cancellation charges may apply.

## RETURNED GOODS

Prior written authorization from Utility Metals must be obtained before credit on returned goods will be given. Returns shall be subject to a restocking charge and must be returned to Utility Metals freight "prepaid."

## LOSS OR DAMAGE IN TRANSIT

Utility Metals shall not be liable for loss or damage in transit. The following steps must be taken to ensure proper handling of loss or damage claims:

- 1) Products received freight prepaid must be checked against the packing list to ensure all items were delivered. In case of shortages, note on the carrier's paperwork "Shipment Received Short." If shortage is not discovered upon receipt from carrier, Utility Metals must be notified of shortages within 24 hours of receipt to ensure a claim for loss can be filed. Shortages reported later than 24 hours carry no guarantee of replacement/credit.
- 2) Products received freight prepaid must be checked for damage upon receipt. In the case of damage observed upon delivery, note on carrier's paperwork "Received with Damage." Contact Utility Metals immediately. In the case of concealed damage, Utility Metals must be notified within 24 hours of receipt in order to report concealed damage to the carrier. Failure to report concealed damage within 24 hours may result in loss of repair costs/replacement of product.
- 3) Products received freight collect must be checked for damage upon receipt. In case of damage observed upon delivery, note on carrier's paperwork "Received with Damage," Utility Metals will not be responsible for any damage or loss on collect shipments. Freight claims rest solely with the consignee.

## DELIVERIES

Delivery dates are estimated dates only, and unless otherwise specified, are estimated from the date of receipt by Utility Metals of purchase order, complete technical data and approved drawings.

In estimating such dates, no allowance will be made, nor shall we be liable directly or indirectly, for delays of carriers or delays from labor difficulties, shortages, strikes or stoppages of any sort, fires, accidents, failure or delay in obtaining materials or manufacturing facilities, acts of government affecting us directly or indirectly, bad weather or any causes beyond our control or causes designated as Acts of God or forces of nature by any court of law, and the estimated delivery dates shall be extended accordingly. We will not be liable for any damages or penalties, whatsoever, whether direct, indirect, special or consequential, resulting from our failure to perform or delay in performing unless otherwise agreed in writing by an authorized officer of Utility Metals.

FOR SPECIAL DESIGNS AND/OR APPLICATIONS NOT SHOWN IN OUR CATALOGS, PLEASE CONSULT UTILITY METALS.



## **Utility Metals**

P.O. Box 9054  
Louisville, Ky 40209

800-627-8276

502-363-6681

502-368-2656 FAX

[www.utilitymetals.com](http://www.utilitymetals.com)

*A division of  
Fabricated Metals LLC*



P.O. Box 9054 • Louisville, Ky 40209  
800-627-8276 • 502-363-6681 • 502-368-2656 FAX  
[www.utilitymetals.com](http://www.utilitymetals.com)

*A division of Fabricated Metals LLC*