

Function

The EAGLE Size R cabinet protects electronic components including controllers and other instruments.

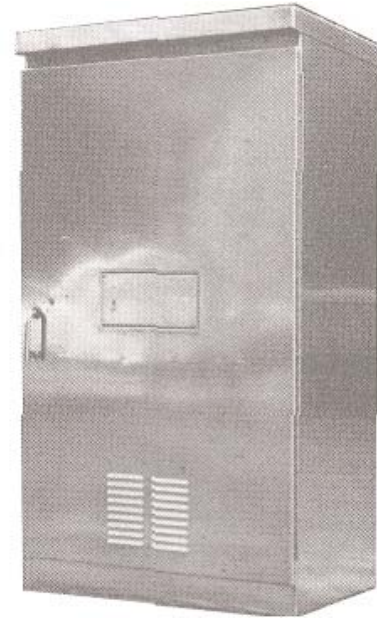
Features

The EAGLE Size R cabinet features an aluminum enclosure for protection from all forms of outdoor natural elements, including rain, sleet, and snow, as well as seepage and splash.

Specifications

Enclosure

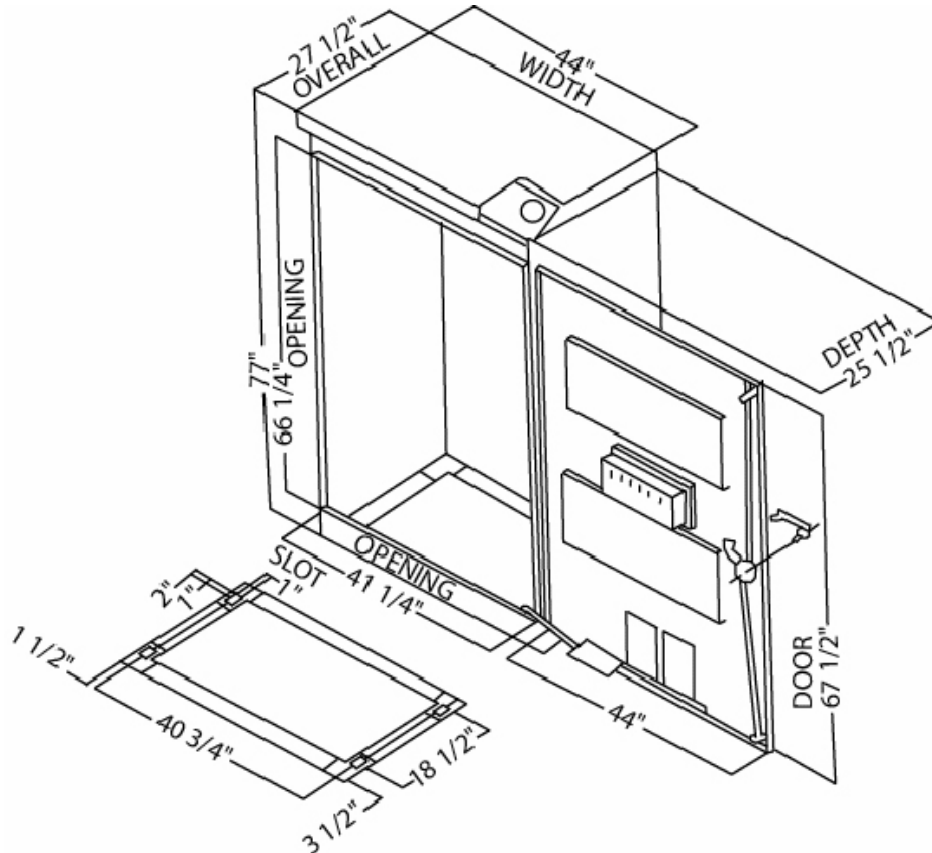
1. Completely fabricated from .125"-thick type 5052-H32. Vinyl-coated, mill-finished aluminum utilizing intermittently welded construction, subsequently weatherproofed with silicone sealant.
2. Internal attaching components include four (4) adjustable "C" mounting channels (2 per side), and two (2) slotted rails on rear wall for attaching equipment panels.
3. The door opening is single-flanged on the sides and bottom, and double-flanged on top to prevent water drops when the door is open. The opening also includes a mount for two door-operated switches.
4. Thermoconvection air ventilation system utilized with provisions for mounting fan for forced-air cooling. Exhaust outlet openings are provided under the roof over-hang.
5. All internal and external hardware utilizes non-corrosive material.
6. Adjustable 3/8"-diameter stainless steel door stop can be latched in various positions.
7. Two (2) shelves included.



Door

1. Provided with three-point locking mechanism.
2. 3/4"-diameter stainless steel inward turning handle with provisions for padlocking.
3. Main Door lock - industrial standard pin tumbler lock with #2 key.
4. Louvered inlet with filter to prevent dirt from entering with air flow.
5. Closed-cell neoprene door seal gasket used.
6. Heavy gauge aluminum continuous hinge utilizing a non-removable 3/16"-diameter stainless steel hinge pin for door support, carriage bolted in place, for ease of door removal.
7. A 2"-deep, fabricated switch compartment is included with a standard "police" lock and a 14-gauge stainless steel continuous hinge with a 3/32"-diameter hinge pin riveted in place. Compartment is mounted flush to the door.

Cabinet Diagram



Options

1. Special fan mounting available.
2. Outward rotating door handle.
3. Double-flanged door frame to provide a better splash shield.
4. Continuously welded enclosure for maximum protection from contaminants.
5. Heavy gauge stainless steel continuous hinge utilizing a non-removable 3/16"-diameter hinge pin.
6. Mounting option includes pole arrangement.
7. Special lock keying combinations.
8. Door locking mechanism utilizing duplex nylon rollers, top and bottom.
9. Three position automatic door stop positioning mechanism.
10. Special paint per customer requirements.

Ordering Information

CATALOG NO.	DESCRIPTION
EL 720*	Base Mount

* Order 1 (set of 2) anchor bolts, UA243, if required.