



Temple

1.800.633.3221

www.temple-inc.com

TEMPLE 336S (Stretch) Cabinet

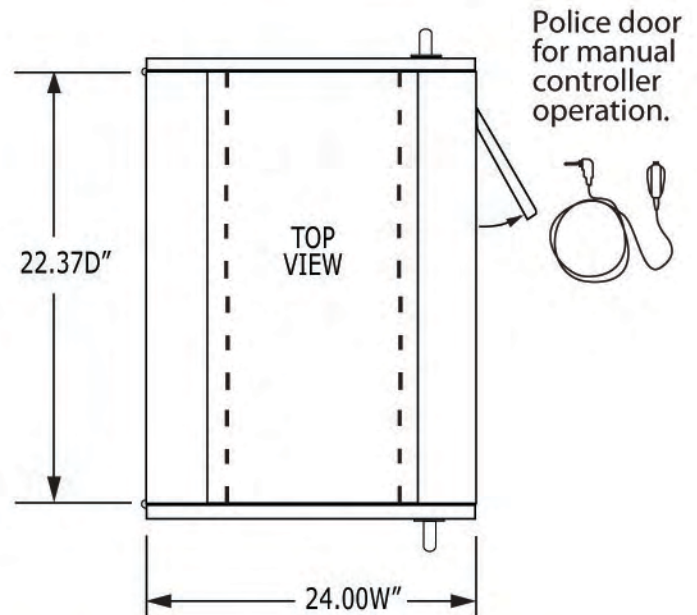
Enhanced performance for CalTrans Applications



TEMPLE 336S Cabinet Dimensions: 46.25H" x 24W" x 22.37D"

Performance Features

- Model 170/2070 Traffic Controller Cabinet
- 8 Phase, 4-Ped capabilities
- Meets CalTrans & FHWA Specifications
- 3-point door locking system
- Full-size front and rear doors
- Weather and pest-resistant vent design
- Pole and pad mounts available
- Pull out drawer with hinged top included
(40 lb. capacity)



Temple, Inc.
P.O. Box 2066
Decatur, AL 35602
1.800.633.3221
Fax: 256.353.4578



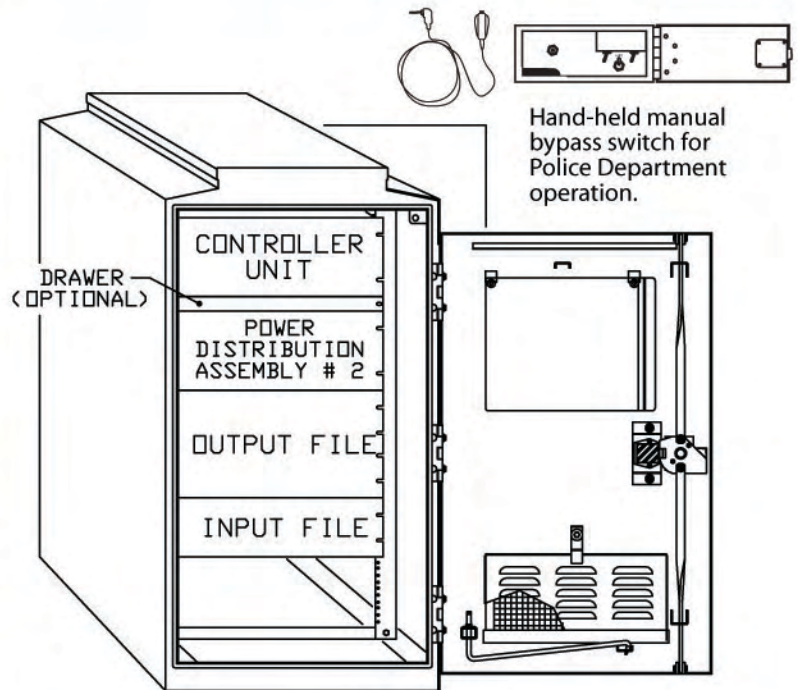
Temple

1.800.633.3221

www.temple-inc.com

TEMPLE 336S (Stretch) Cabinet

Base or Pole Mount 2-Door Cabinet



Features & Performance

The Temple Model 336S Controller Cabinet is designed to house the Model 170/2070 Controller and the associated modules. These include the Model 206 Power Supply Module, the Input File Assembly, the Output File Assembly, and the Power Distribution Assembly #2.

All Modules and Assemblies in the Model 332A Cabinet are totally interchangeable with other manufacturers' units. The Model 170/2070 Controller Unit is a microprocessor used to control and monitor traffic flow.

The optional pull out drawer (with hinged top) is capable of supporting 40 pounds when fully extended.

The Model 206 Power Supply Module is a Ferro-resonant transformer design which supplies 24VDC to all of the other modules inside the 336S Cabinet. This module plugs into the Power Distribution Assembly #2.

The Power Distribution Assembly #2 is the home for the Model 204 Flasher Unit and the Model 206 Power Supply Module. This Assembly provides all the AC and DC power, as well as ground-fault interruption outlets, flash and signal power to the Output File.

The Output File is a card cage designed to house the Model 200, 210, and 430 switchpac, monitor, relay, and Flash Programming Plugs. All field wiring to the signal heads connect to the termination on the rear of this file.

The Input File is a card cage designed to house the Model 222, 224, 232, 242, 244, 252, 254, and 255 detector, isolator, and pre-emptor modules. These modules provide for the processing of field signals for use by the Model 170/2070 Controller Unit.

Optional fluorescent lamps, front and rear turn on when the respective door is opened.

Weight: Approximately 188 lbs.

Application

The Model 336S Controller Cabinet is designed to operate from 2 to 8 phase automobile traffic control situations.