



DATA SHEET SSS-87IO



Solid State Loadswitch:

Description:

The PDC SSS-87I/O Loadswitch series is a tri-pack, modular, solid state relay designed specifically to meet NEMA specifications, as well as California and New York "Model 200" specifications. Each loadswitch contains 3 individually replaceable modules that are enclosed in a dust resistant, metal enclosure providing mechanical protection and excellent heat sinking for the modules. The modules are easily accessible with the use of a screwdriver. Each loadswitch also features a L.E.D. indicator on each output circuit.

Installation:

The switchpac inter mates with any standard NEMA loadbay or with the model 332 cabinet output file as well as with any NEMA loadbay. It is easily installed or removed by grasping the handle. Connector P1 pin outs are shown in FIG 1. The connector mates with a PDC BCS-12 or equal.

PIN	FUNCTION
1	+115VAC, 60 Hz
2	Chassis Ground
3	A Output (Red, Don't Walk)
4	Not Assigned
5	B Output (Yellow)
6	A Input (Red, Don't Walk)
7	C Output (Green, Walk)
8	B Input (Yellow)
9	+24 VDC
10	C Input (Green, Walk)
11	AC-
12	Not Assigned

P1
(P1 as viewed from the outside of the product looking directly at the connector)

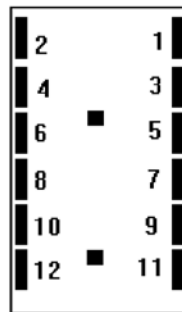


FIG 1.

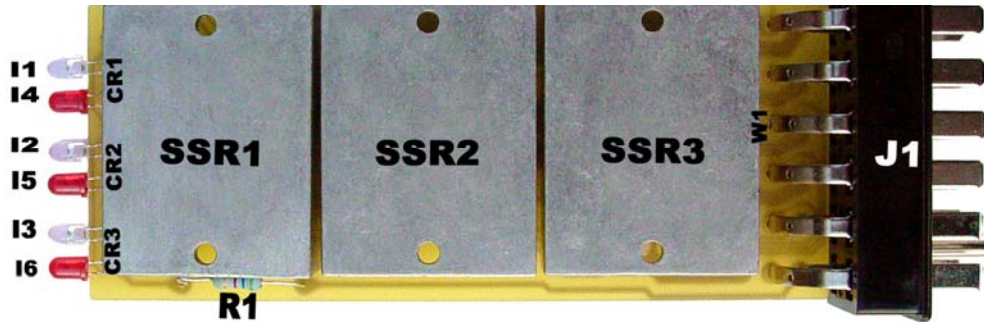
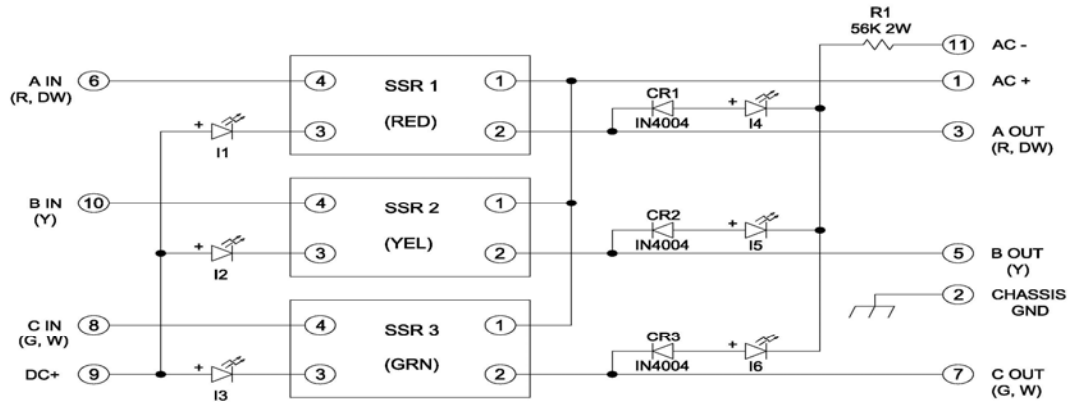
General Characteristics:

Model	SSS-87I/O Series
Uses Module #	SSR-87
Meets Specs for	Nema, Caltrans, NY (model 200)
Load	voltage.....120 VAC current (max)..... 15.0 Amps (Tungsten Filament Load)
Control Signal	voltage..... +24VDC current 20.0 MA (max)
Switching	1st alternation after..... ± 10 Degrees of line voltage at the zero signal is applied. crossover point. Succeeding alterations..... ± 5 Degrees of line voltage at the zero crossover point.
Off State	dv/dt.....100 V per microsecond line to load resistance.....15 K Ohms Min leakage current.....less than 20 MA
Isolation	voltage.....2500 VDC Min resistance.....10 Meg Ohms Min
Surge Current	one cycle.....175 Amps RMS Min one second.....40 Amps RMS Min
Life	operations.....30 million Min
Mechanical	length.....8.40 inches width.....1.74 inches height.....4.185 inches weight.....1.135 LBS

Guarantee: The SSS-87I/O series is fully guaranteed against all failures due to manufacturing defects for two years.



DATA SHEET SSS-87IO



	Qty	Description	PDC P/N	MFG	MFG P/N	REF DES
1	1	Label s/n	OOO43	PDC	OOO43	
2	3	Solid State Relay, SSR-87	SSR-87	PDC	SSR-87	SSR1,2,3
3	1	Chassis	OO204	PDC	OO204	
4	1	Cover	00384	PDC	00384	
5	1	Label, front panel	OO345-8	PDC	OO345-8	
6	1	P.C. Board fab.	OO284	PDC	OO284	
7	3	Diode, 1N4004	CR0001	PDC	CR0001	CR1,2,3
8	6	Screw, 8-32 x 3/8 brass	H0036			
9	6	screw, 6-32 x 5/16	H0037			
10	6	Nut, keps 6-32	H0038			
11	1	Spacer	H0039			
13	5	Screw, 6-32 x 3/8	H0041			
14	1	Screw, 6-32 x 1 3/16	H0043			
15	2	Screw, 6-32 X 3/8 PS PH	H0049			
16	4	SCREW #6 X 3/8 STAP	H0064			
17	1	Connector 12 pin	00601	PDC	00601	
18	3	L.E.D. Clear Red	LDOOO4			I1,2,3
19	3	L.E.D. Difused Red	LDOOO5	Litronics	RL2000	I4,5,6
20	1	Resistor 5.6K 2W	R0060	TRW	PW2-5.6KM	R1
21	1	Buss wire	W0014			W1